

PRODUCT SPECIFICATIONS

AMP®

Project Name _____ Date _____

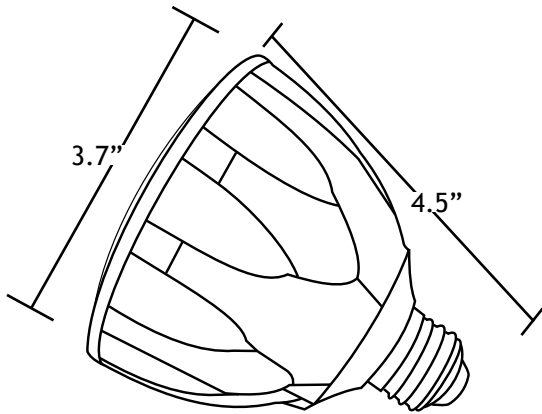
Type or Model _____ Qty _____

AMP® Low Voltage Landscape Lighting 120V PAR30 Series

Product Description

AMP's LED PAR30 line voltage landscape lighting bulb is a direct replacement for halogen PAR30 bulbs with similar light level, using only a fraction of the power consumption. Fully encapsulated to keep moisture out making this bulb a great alternative to typical halogen PAR30s. Our LED bulbs are built using high-quality LEDs and come with a lifetime warranty. The first LED alternative that fits directly into AMP® fixtures such as the 120V PilotPro Bollard. This bulb coupled with AMP's PilotPro fixture allows for maximum light levels. It still produces virtually zero glare in the recessed; tightly sized stem of the PilotPro. The stem itself is made to perfectly fit the PAR30 bulb's footprint allowing for flawless lighting harmony inside the fixture.

Product Dimensions



Specifications

- ▶ **Base:** PAR30 Edison Style E26 Bulb
- ▶ **Color Temperature:** 4000K
- ▶ **CRI:** >80
- ▶ **Power:** 12 Watt
- ▶ **Beam Angle:** 36°
- ▶ **VAC:** 120V
- ▶ **L70 (Lifetime):** 50,000 hrs
- ▶ **Lumens:** 1200



Features & Benefits

- ▶ Thermally engineered for operating in enclosed landscape lighting fixtures
- ▶ Specifically engineered to withstand the environment
- ▶ Perfect size to fit the Rotunda bollard it was designed for
- ▶ RF interference free
- ▶ Energy efficient; replaces standard incandescent bulbs
- ▶ IP68

Certifications



Warranty

Lifetime Warranty