

PRODUCT SPECIFICATIONS

AMP®

Project Name _____ Date _____

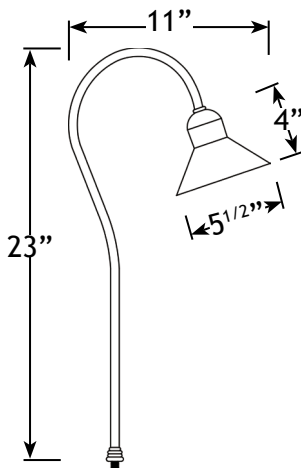
Type or Model _____ Qty _____

AMP® Low Voltage Landscape Lighting ScoutPro Path Light- APL-3016-4-B-BZ

Product Description

AMP's ScoutPro Path Light is a low voltage light fixture for illuminating walkways, patios, driveways and general area lighting. They are constructed of brass material with a bronze finish. Casts a light about 14ft forward (due to the angle of the shade) and about 1ft behind the fixture. Constructed with a spun brass shade that has white enamel inside for maximum reflection and light output. This luminaire utilizes a Bi-Pin bulb adding a beautiful touch of light to any landscaping application.

Product Dimensions



Specifications

- **Construction:** Brass
- **Finish:** Bronze
- **Lead Wire:** 16AWG
- **Mounting:** 10" Hammer® Stake with cutout for wire exit
- **Lens:** Clear Flat Glass
- **Light Source (sold separately):** LED Bi-Pin
- **Operating Voltage:** 12VAC
- **Powered by:** AMP's Low Voltage Transformer

Features & Benefits

- Solid Cast Brass Construction.
- Pre-aged finish; just a natural patina that does not corrode.
- Beryllium copper socket - more corrosion resistant than copper.
- Silicone plug at lead wire exit prevents ground moisture and insects from entering luminaire through the stem.
- Ceramic white paint under shade for maximum lumen output.
- Extra-long (1-inch) strip resistant threading and solid brass locknut provide superior mounting stability.

Warranty

Lifetime Warranty

Certifications

