



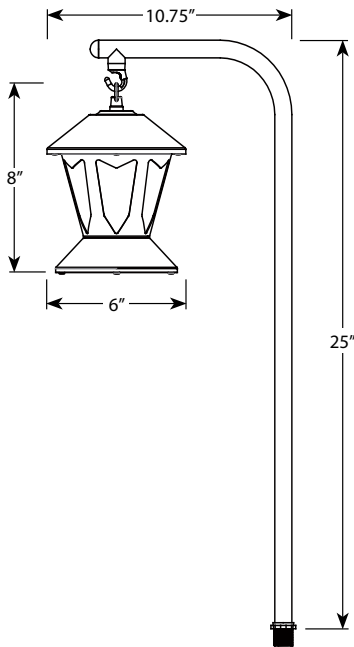
AMP® Low Voltage Landscape Lighting BeaconPro Path & Area Light- APL-3030

Product Description

The AMP® BeaconPro Path & Area Light is a professional grade, solid brass fixture with an elegant lantern-style appearance that complements traditional or classical architectural and landscape styles. The lamp housing features an ultra-realistic flame simulating LED bi-pin (included), while a hidden LED bulb under the lantern projects light downward for area lighting. It provides subtle, balanced illumination ideal for lighting along walkways or garden beds. Backed by a Hassle-Free Lifetime Warranty.



Product Dimensions



Features & Benefits

- ▶ Ultra realistic LED Flame Bi-Pin give the appearance of fire inside the hat.
- ▶ Hidden SCB light source provides 2200K light to match the LED Flame Bi-Pin, while still concealing glare.
- ▶ Silicone plug at lead wire exit prevents ground moisture and insects from entering luminaire through the stem.

Specifications

- ▶ **Construction:** Brass
- ▶ **Finish:** Bronze
- ▶ **Lead Wire:** 18AWG
- ▶ **Mounting (included):** 10" Hammer Stake with cutout for wire exit
- ▶ **Light Source:** LED Flame Bi-Pin (decorative) and LED SCB (Single Contact Bayonet) Lamp for illumination
- ▶ **Color Temperature:** 2200K
- ▶ **Operating Voltage:** 12VAC
- ▶ **Powered by:** AMP's Low Voltage Transformer

Warranty

Lifetime Warranty

Certifications

