

PRODUCT SPECIFICATIONS

AMP®

Project Name _____ Date _____

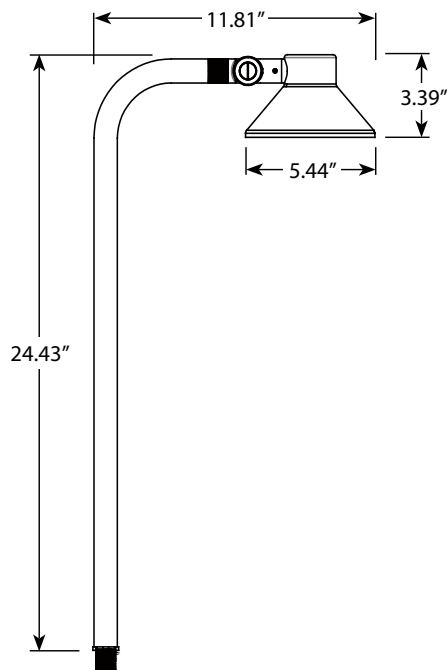
Type or Model _____ Qty _____

AMP® Low Voltage Landscape Lighting G2 ArchPro Path & Area Light- APL-3031-B-BZ

Product Description

Now with extra adjustability, AMP®'s second generation ArchPro Path & Area Light is a low-voltage outdoor light ideal for illuminating walkways, patios, driveways, and area lighting. Constructed of solid brass with an attractive bronze finish and a classic curved design. The spun brass shade has white enamel inside for maximum reflection and light/lumen output. Utilizes LED G4 Bi-Pin bulbs with a frosted glass globe for added protection for the bulb and diffused illumination. Built with premium internal components to ensure durability and longevity, and backed by a Hassle-free Lifetime Warranty.

Product Dimensions



Features & Benefits

- ▶ Solid Brass Construction
- ▶ Pre-age finish - natural patina that does not corrode
- ▶ Silicone plug at lead wire exit prevents ground moisture and insects from entering luminaire through the stem
- ▶ Polycarbonate shatter-resistant lens
- ▶ Head can be tilted side to side and up and down to aim the light.



Specifications

- ▶ **Construction:** Brass
- ▶ **Finish:** Bronze
- ▶ **Lead Wire:** 4' 18AWG
- ▶ **Mounting:** 10" Hammer Stake
- ▶ **Light Source:** VOLT's LED Bi-Pin Lamp
- ▶ **Operating Voltage:** 11-15V
- ▶ **Powered by:** AMP's Low Voltage Transformer

Warranty

Lifetime Warranty

Certifications

