

PRODUCT SPECIFICATIONS

AMP®

Project Name _____ Date _____

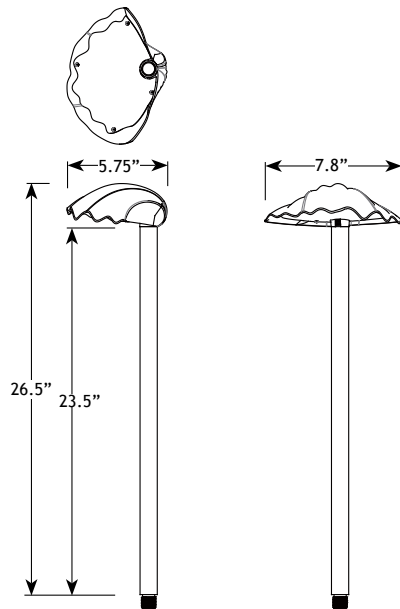
Type or Model _____ Qty _____

AMP® Low Voltage Landscape Lighting ShellPro Path & Area Light- APL-3034-B-BZ

Product Description

AMP®'s ShellPro Path & Area Light is a decorative path light featuring a unique clamshell inspired design. 3D modeled after a real giant clamshell, the shade offers an ultra-realistic design - ideal for adding illumination to coastal-themed pathways and garden beds. Cast brass construction with an antique bronze finish for long-term durability and beauty. Designed for use with interchangeable LED G4 Bi-Pin lamps. Backed by AMP®'s Hassle-free Lifetime Warranty

Product Dimensions



Features & Benefits

- ▶ Natural clamshell design.
- ▶ Silicone plug at lead wire exit prevents ground moisture and insects from entering luminaire through the stem.
- ▶ Polycarbonate shatter-resistant lens.



Specifications

- ▶ **Construction:** Brass
- ▶ **Finish:** Bronze
- ▶ **Lead Wire:** 18AWG
- ▶ **Mounting (included):** 10" Hammer Stake with cutout for wire exit
- ▶ **Lens:** Polycarbonate flat clear lens
- ▶ **Light Source (sold separately):** Bi-Pin (LED or Halogen)
- ▶ **Operating Voltage:** 12VAC
- ▶ **Powered by:** AMP's Low Voltage Transformer

Warranty

Lifetime Warranty

Certifications

