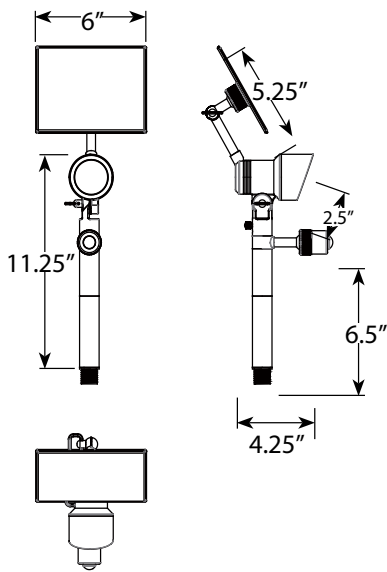


AMP[®] Low Voltage Landscape Lighting Solarium Solar Motion Sensing Spotlight- ASAL-1026-B-BZ

Product Description

The AMP[®] Solarium Solar Motion Sensing Spotlight revolutionizes the way you will view solar security lights. This is the best brass solar landscape light on the market today. With a full solar charge, this fixture boasts an impressive 200 lumens of light output and can detect nearby motion for up to 4-8 hours each night (depending on the charge). With the built-in PIR motion sensor, this fixture allows you to expand your home security with a motion-sensing landscape lighting system. When tripped, the sensor will activate the LED spotlight to provide illumination where directed. This outdoor solar lighting device provides a no-energy-cost security lighting solution ideal for any property to detect, deter, and identify intruders.

Product Dimensions



Features & Benefits

- ▶ With a full charge, this fixture will last 4-8 hours each night starting at over 200 lumens and gradually diminishing from there.
- ▶ Water shedding lens that keeps water from pooling on the faceplate.
- ▶ This fixture has 2 adjustable and toothed knuckles along with a ball mounted panel to allow precise light aiming and panel aiming for maximum sun exposure.
- ▶ Tool-less knuckles also for quick and easy adjustability when needed without having to find the correct tool.
- ▶ Comes with water-tight gaskets to prevent water from entering the fixture.
- ▶ No external wiring- Brass body protects internal wiring from any damage.
- ▶ Lights come on for 15 seconds after sensor is tripped. The sensor has a 120° detection angle and a distance of 23ft.

Specifications

- ▶ **Construction:** Brass
- ▶ **Finish:** Bronze
- ▶ **Mounting:** 10" Hammer[®] Stake
- ▶ **Light Output:** 200 lumens that gradually diminish as the batteries drain
- ▶ **Lens:** Clear Glass
- ▶ **Light Source:** Integrated LED
- ▶ **Charge Time:** 8-12 hours of uninterrupted sunlight for full battery charge
- ▶ **Battery Information:** Li-ion 18650-2P DC3.7V 5.2Ah 20Wh
- ▶ **Panel Size:** 6" x 5.25"
- ▶ **Powered by:** AMP's attached solar panel

Warranty

- Lifetime Warranty
- 2 Year Warranty on battery
- 2 Year Warranty on panel