

## PRODUCT SPECIFICATIONS

# AMP<sup>®</sup>

Project Name \_\_\_\_\_ Date \_\_\_\_\_

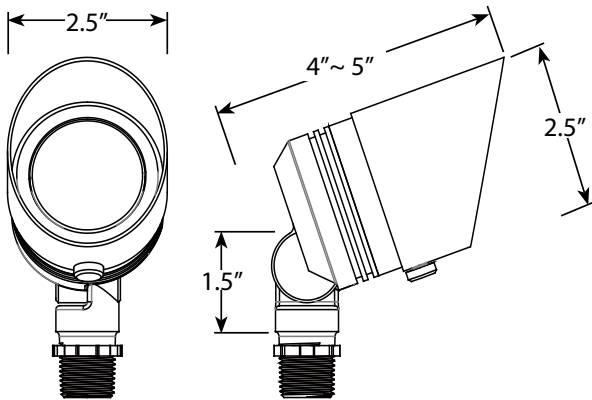
Type or Model \_\_\_\_\_ Qty \_\_\_\_\_

## AMP<sup>®</sup> Solar Landscape Lighting Solar Kit Spotlight- ASAL-1027-25-B-BZ

### Product Description

This brass spotlight is designed specifically for the AMP<sup>®</sup> solar landscape lighting kits. A solid brass construction and premium-grade components with water-tight features enable this fixture to last a lifetime. A lot of lumen values in the market are not accurate and therefore are a false comparison. On a full charge, this fixture will last from 16-22 hours each night (varies with type of kit and charging) starting at 200 lumens and gradually diminishing from there. These lumen values are tested in a state of the art laboratory and are verifiably accurate. Adjustable glare guard allows for glare control and a toothless knuckle allows for precision aiming. The fixture carries a Lifetime Warranty just like all of our other brass fixtures. This brass fixture is sure to outlast any traditional solar landscape lighting systems on the market today.

### Product Dimensions



### Features & Benefits

- ▶ With a full charge, this fixture will last 16-22 hours each night starting at 200 lumens and gradually diminishing from there.
- ▶ Water shedding lens that keeps water from pooling on the faceplate.
- ▶ Adjustable glare guard allows for glare control and a toothless knuckle allows for precision aiming.
- ▶ Comes with water-tight gasket to prevent water from entering the fixture.
- ▶ This is a 3W, 2700K spotlight.



### Specifications

- ▶ **Construction:** Brass
- ▶ **Finish:** Bronze
- ▶ **Mounting:** 10" Hammer<sup>®</sup> Stake
- ▶ **Lead Wire:** 20 AWG
- ▶ **Light Output:** 200 lumens that gradually diminish as the batteries drain
- ▶ **Lens:** Clear Glass
- ▶ **Light Source:** Integrated LED (40,000 hr lifespan)
- ▶ **Powered by:** AMP's solar panel

### Warranty

Lifetime Warranty

### Certifications

