

PRODUCT SPECIFICATIONS

AMP[®]

Project Name _____ Date _____

Type or Model _____ Qty _____

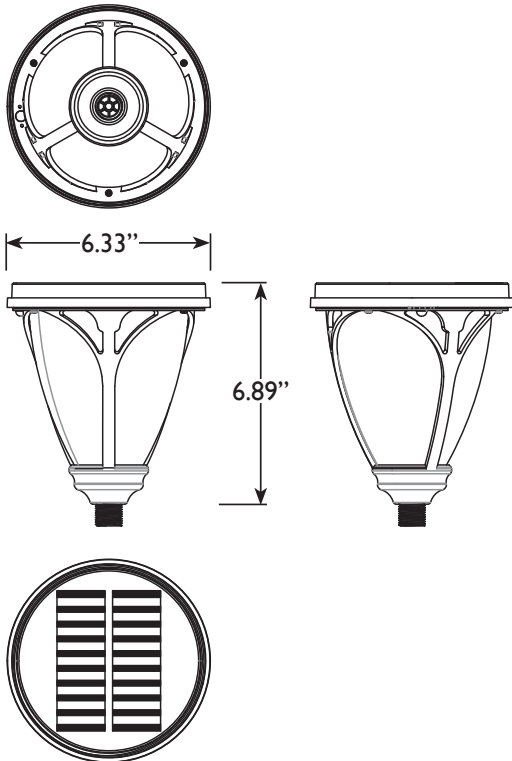
AMP[®] Solar Landscape Lighting

AMP[®] Solarium LED Flame Path Light - ASPL-3030-B-BZ

Product Description

Add a unique lighting effect to your projects with the AMP[®] Solarium Flame Path Light. This solar powered fixture is designed with a flame simulating LED bulb to give the illusion of an actual flame. With a full charge in direct sunlight (8 hours), this fixture will produce illumination for about 7 hours before shutting off. Features an easily interchangeable LED bi-pin lamp with multiple mounting options available. Backed by AMP[®]'s Hassle-free Lifetime Warranty.

Product Dimensions



Specifications

- ▶ **Construction:** Solid Brass
- ▶ **Finish:** Brass Bronze
- ▶ **Mounting:** Flame Lamp on 12" Riser, and 12" Riser on 10" Hammer Stake
- ▶ **Energy Consumption:** 3W
- ▶ **CCT:** 2200K
- ▶ **Lens:** Frosted Lens
- ▶ **Light Source:** Flame Simulated Bi-Pin Candle
- ▶ **Charge Time:** 8 hours of uninterrupted sunlight for full battery charge
- ▶ **Powered by:** Integrated Solar Panel

Warranty

Brass Bronze Fixture- Lifetime Warranty
Batteries- 2 Year Warranty

Features & Benefits

- ▶ With a full charge (8 Hours), this fixture will last about 7 hours each night.
- ▶ Quick and easy installation
- ▶ Design simulates a realistic flame from an LED bulb.
- ▶ Adds beauty and elegance to any landscape.
- ▶ Available in brass with a bronze finish.