



AMP® Low Voltage Landscape Lighting

50W Nano Clamp Connect- ATR-50-PBK

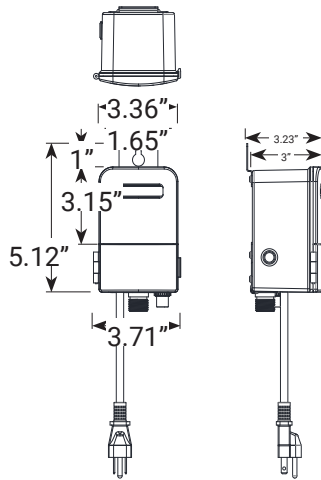
PRODUCT DESCRIPTION

The AMP® 50W Nano Clamp-Connect Low Voltage Transformer is engineered for professional contractors seeking a reliable and efficient solution for low voltage landscape lighting in compact installations like apartments, condos, or small residential spaces. Constructed with durable black ABS plastic, this compact transformer offers flexibility and quick setup, ideal for situations where manual control is preferred. It features two clamp connectors and Wago connectors, allowing easy and secure connections compatible with all AMP® fixtures, extending versatility beyond just the Nano line.

Designed with efficiency in mind, the removable wire exit offers fast access to connectors, and the reset button is conveniently positioned at the base for streamlined maintenance. The transformer includes a simple on/off button and a 120V plug, providing straightforward operation in locations where a timer or photocell is not needed. For optimal installation, it must be mounted at least one foot above the ground and includes a 5-foot lead wire for ease of setup. We also recommend pairing this transformer with a smart plug, such as the Ring Outdoor Smart Plug (note: the Ring Outdoor Smart Plug requires the Ring Smart Lighting Bridge) for added convenience and control.



PRODUCT DIMENSIONS



FEATURES & BENEFITS

- ▶ Low-profile housing for easier mounting and concealment.
- ▶ Removable wire exit for easy access to connectors.
- ▶ Reset button on bottom of the transformer.

SPECIFICATIONS

- ▶ **Construction:** ABS Plastic
- ▶ **Finish:** Black
- ▶ **Lead Wire:** 5ft
- ▶ **Watts:** 50W
- ▶ **Voltage Taps:** 15 VAC
- ▶ **Operating Voltage:** 12VAC

WARRANTY

5 Year Warranty

CERTIFICATIONS

