



# AMP® Low Voltage Landscape Lighting

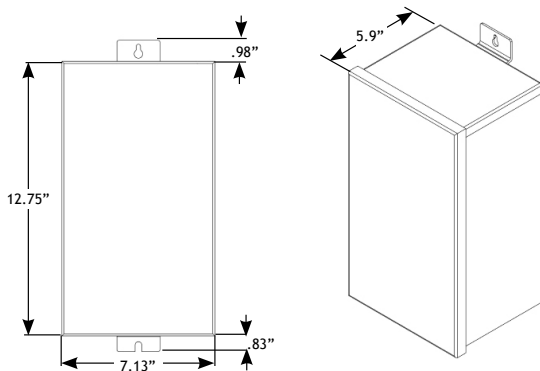
## AMP® 600W Multi-tap Low Voltage Transformer - **ATR-600-SS-J1**

### PRODUCT DESCRIPTION

The low voltage transformer is at the heart of every landscape lighting system. It converts a home's 120V line voltage to a low voltage. The efficiency of this conversion determines how well the transformer controls the voltage output, and how much energy is consumed in the process. AMP® transformers are the most efficient in the industry. With high quality toroidal cores and robust wiring and internal components, these transformers provide a highly stable source of current with very low energy consumption. Use of AMP® transformers ensures that the low voltage landscape lighting system runs at optimal efficiency for a lifetime of operation.



### PRODUCT DIMENSIONS



### SPECIFICATIONS

- ▶ **Housing:** Non-brushed 304 stainless steel with removable cover
- ▶ **Powder Cord:** 60" black 18AWG SJTW cord and plug set
- ▶ **Input Voltage:** 120V
- ▶ **Voltage Taps:** 12VAC, 13VAC, 14VAC, 15VAC
- ▶ **Primary Circuit Protection:** Automatic (auto reset) thermal breaker in core
- ▶ **Secondary Circuit Protection:** 25A magnetic circuit breakers

### FEATURES & BENEFITS

- ▶ Highly efficient toroidal core, runs cooler, generates less noise, with less voltage loss under load.
- ▶ Unique color-coded wire markers for easy maintenance and troubleshooting.
- ▶ Extra-large 12V to 15V taps (UL 1838 listed) to accommodate landscape lighting systems of any size.
- ▶ Stainless steel body with hinged lid.
- ▶ Include a photocell and timer receptacle.
- ▶ Magnetic circuit breakers; auto reset integrated thermal breaker (in core).

### WARRANTY

Lifetime Warranty

### CERTIFICATIONS

