



AMP® Low Voltage Transformers

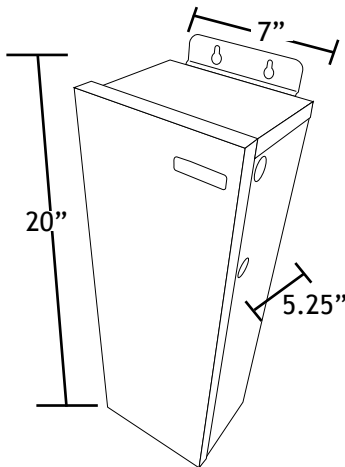
Dual Circuit Transformer ATR-600D-SS

Product Description

This Dual Circuit Transformer operates on two independently controlled 300 watt circuits for a total of 600 watts. It is a multi-tap transformer that utilizes both 12V and 15V connection options. The internal connectors used are the same great clamp connectors that are in our other clamp connect transformers to insure dependable connections for years to come. There are two timer and two photocell slots for controlling various runs or zones separately if desired. The unique color coded wire markers and stacked connections help make any troubleshooting a breeze. With both circuits being able to connect up to 300 watts (with a 20% buffer), this transformer is comparable to a standard 600 watt transformer with a slightly larger footprint in exchange for its more functionality. Comes with a lifetime warranty.



Dimensions



Specifications

- ▶ **Housing:** Stainless Steel Casing
- ▶ **Power Cord:** 18 AWG
- ▶ **Input Voltage:** 120V, 60 Hertz, 5.0A
- ▶ **Voltage Taps:** 12V & 15V
- ▶ **Max Rating:** 2x (300W, 25A), DO NOT exceed 5A

Features & Benefits

- ▶ Highly efficient toroidal core* - runs cooler, generates less noise, with less voltage loss under load.
- ▶ Unique color-coded wire markers for easy maintenance and troubleshooting.
- ▶ Large 12V & 15V taps
- ▶ 600W capacity, both circuits are 300W each
- ▶ Stainless steel body with hinged lid
- ▶ Two timer and photocell slots for independent circuit control
- ▶ Different time options for different zones or parts of a system
- ▶ ETL Listed for both indoor and outdoor use

Warranty

Lifetime Warranty

Certifications

