



AMP® Low Voltage Landscape Lighting

AMP® MarinerPro LED Underwater Light (set of 3)

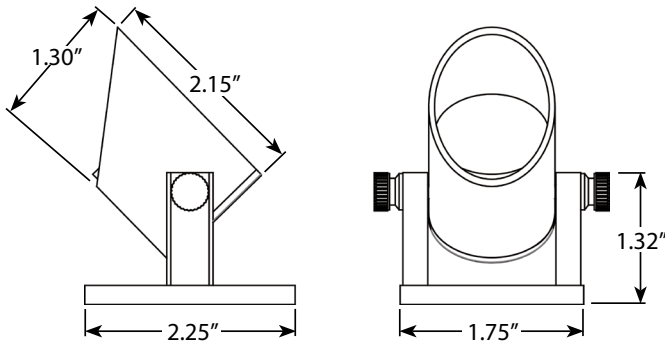
Product Description

AMP® MarinerPro Underwater Pond Light features a 3-set of miniature underwater lights permanently wired together for fast and easy installation. The set is ideal for ponds and fountains. The low profile of these fixtures makes them ideal for shallow water (3" or more) - such as is found in middle or upper levels of fountains.

The compact fixture housings are constructed of solid cast brass with antique bronze finish. These are professional-quality fixtures with a lifetime warranty.



Product Dimensions



Features & Benefits

- ▶ Three miniature LED fixtures permanently wired together for fast and easy installation.
- ▶ Cast brass construction with antique bronze finish for longevity and beauty.
- ▶ Non-skid rubber pads prevent fixtures from moving.
- ▶ May be installed in very shallow water (3" or more).
- ▶ Each fixture features an Integrated LED with a 100 lumen output and 2700K warm white color temperature.
- ▶ Fully brass fixture for underwater longevity. No plastic thumb screws that will break down over time.

Specifications

- ▶ **Construction:** Brass
- ▶ **Finish:** Bronze
- ▶ **Lead Wire:** 18' lead wire to first fixture, 8' wire to second fixture, 8' wire to third fixture, 18AWG
- ▶ **Mounting:** Non-skid rubber pads prevent fixtures from moving
- ▶ **Lens:** Clear Flat Glass
- ▶ **Light Source:** Integrated LED
- ▶ **Operating Voltage:** 8-16 VAC
- ▶ **Powered by:** AMP's Low Voltage Transformer

Warranty

Lifetime Warranty

Certifications

