

PRODUCT SPECIFICATIONS

AMP®

Project Name _____ Date _____

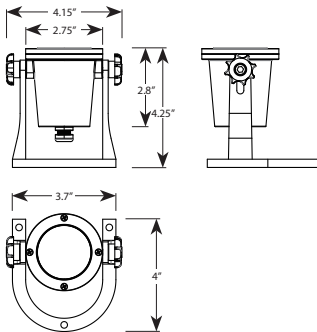
Type or Model _____ Qty _____

AMP® Low Voltage Landscape Lighting HydroPro MR11 Underwater Light (Lamp-Ready)- AUL-8002-B-BZ

Product Description

This redesigned underwater light is now more compact than ever - ideal for applications where a low-profile submersible light is desired. The HydraPro Underwater Light is constructed of cold forged brass which is better suited for water-related conditions. It also has a pressure fit gasket that creates a tight seal keeping water out of the internal housing. This innovative underwater light features an adjustable lamp housing that can move up and down as well as an adjustable lamp gimbal to allow for directional precision aiming. Newly designed wire glands prevent water from getting into the fixture at one of the most common points of failure. Along with a newly designed mount for better underwater stability, this fixture is also not required to be fully-submersed during operation due to its efficient heat dissipation. Choose your desired lighting by selecting from our wide variety of MR11 bulbs. Faceplate options include: Open-Face, Grated, and Shielded.

Product Dimensions



Features & Benefits

- ▶ Cold forged brass faceplate for maximum durability.
- ▶ Completely water tight and fully submersible.
- ▶ Tools for fixture are provided.
- ▶ Fully adjustable lamp housing that moves up and down.
- ▶ Pressure fit gasket (must be tightened in a star pattern).
- ▶ Adjustable gimbal socket for directional precision aiming.
- ▶ Efficient heat dissipation. This fixture can be used in water or on land.



Specifications

- ▶ **Construction:** Brass
- ▶ **Finish:** Bronze
- ▶ **Lead Wire:** 18 AWG
- ▶ **Lens:** Clear Flat Glass
- ▶ **Light Source:** MR11 Bulb
- ▶ **Operating Voltage:** 12VAC
- ▶ **Powered by:** AMP's Low Voltage Transformer
- ▶ **IP Rating:** 68
- ▶ **Faceplate Options:** Open-Faced (pictured), Grated, Shielded

Warranty

Lifetime Warranty

Certifications

