

## PRODUCT SPECIFICATIONS

# AMP<sup>®</sup>

Project Name \_\_\_\_\_ Date \_\_\_\_\_

Type or Model \_\_\_\_\_ Qty \_\_\_\_\_

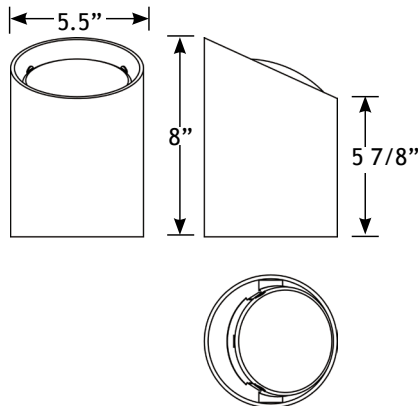
## AMP<sup>®</sup> Low Voltage Landscape Lighting PAR36 Well Light- AWL-5000-4-P-BK

### Product Description

The PAR36 Well Light is great for an assortment of uplighting applications; such as building, signs, trees, etc. It can be a perfect substitution for a spotlight, where an in-ground fixture is desired. These well lights are low profile, keeping the fixture from view, while still resulting in highly effective lighting. The PAR36 Well Light is truly the most affordable high intensity lighting fixture on the market. It uses a standard PAR36 lamp up to 50w (without a debris cover, 35w max with a debris cover). AMP's Par36 Well Light will not disappoint!

**NOTE: Open design well lights (and well lights in general) should not be installed in locations where they can become filled or covered by leaves, pine needles, or debris. They should be installed in regularly maintained areas to ensure they are free and clear of debris. Failure to do so can result in dangerous overheating, premature lamp or fixture failure, and even risk the possibility of a fire.**

### Product Dimensions



### Features & Benefits

- ▶ Optional debris cover for bulb protection
- ▶ PVC tube reversible for flat or angled glare guard
- ▶ Stainless steel adjustable lamp holder and lens holder



### Specifications

- ▶ **Construction:** Reversible PVC Tube
- ▶ **Finish:** Black
- ▶ **Lead Wire:** 16AWG
- ▶ **Lens:** Clear Tempered glass
- ▶ **Light Source (not included):** PAR36 (LED or Halogen)
- ▶ **Operating Voltage:** 12VAC
- ▶ **Powered by:** AMP's Low Voltage Transformer

### Warranty

Lifetime Warranty

### Certifications

 **Max 35 Watts**  
LISTED File #E466348

 **Max 35 Watts**  
LISTED File #E466348