

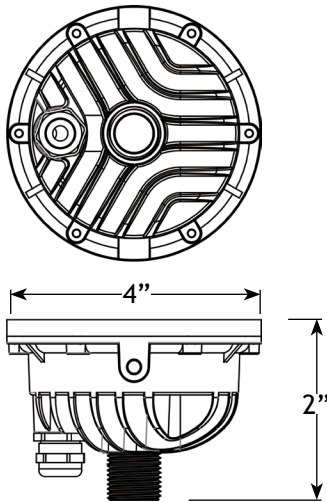
## AMP<sup>®</sup> Low Voltage Landscape Lighting

### AMP<sup>®</sup> HydraPro<sup>™</sup> Integrated LED In-Grade Light, Open (Constant Output)

#### Product Description

This redesigned in-grade light has several improved features. This fixture is made from cold forged brass, making it the ultimate underwater fixture. It also has a pressure fit gasket that creates a tight seal keeping water out of the internal housing. Newly designed wire glands prevent water from getting into the fixture at one of the most common points of failure. This in-grade light has also been remodeled for improved heat dissipation and the latest integrated LED technology.

#### Product Dimensions



#### Specifications

- ▶ Construction: Brass
- ▶ Finish: Bronze
- ▶ Lead Wire: 18AWG
- ▶ Lens: Clear Flat Glass
- ▶ Light Source: Integrated LED
- ▶ Light Output: 650 Lumens
- ▶ Color Rendering Index (CRI): 80+
- ▶ Life: 60,000 hr L70
- ▶ Operating Voltage: 12V
- ▶ Powered by: AMP's Low Voltage Transformer
- ▶ Torque Setting: 1.5 ft. lbs.

#### Features & Benefits

- ▶ Cold Forged brass faceplate for maximum durability.
- ▶ Raised lens to prevent water from puddling.
- ▶ Pressure fit gasket (must be tightened in a star pattern).
- ▶ Completely water tight & fully submersible.
- ▶ Water tight wire gland.
- ▶ Efficient heat dissipation.
- ▶ These in-grade lights have 4 additional styles of faceplates to choose from, beacon, shielded, grated and turret (sold separately).

#### Warranty

Lifetime Warranty

#### Certifications



LISTED File #E466348



LISTED File #E466348

**Specifications subject to change without notice.**