



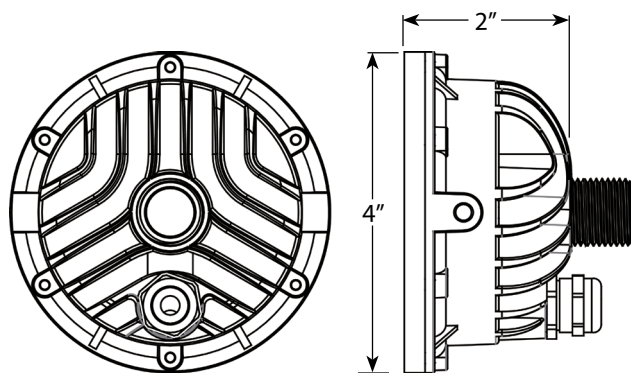
## AMP® Low Voltage Landscape Lighting

### AMP® ONE HydraPro™ Single Source LED In-Grade Light, Open (Dimmable)

#### Product Description

This redesigned in-grade light has several improved features. This fixture is made from cold forged brass, making it the ultimate underwater fixture. It also has a pressure fit gasket that creates a tight seal keeping water out of the internal housing. Newly designed wire glands prevent water from getting into the fixture at one of the most common points of failure. This in-grade light has also been remodeled for improved heat dissipation and the latest integrated LED technology.

#### Product Dimensions



#### Specifications

- ▶ **Construction:** Brass
- ▶ **Finish:** Bronze
- ▶ **Lead Wire:** 18AWG
- ▶ **Lens:** Clear Flat Glass
- ▶ **Light Source:** Integrated LED
- ▶ **Light Output:** 650 Lumens
- ▶ **Color Rendering Index (CRI):** 80+
- ▶ **Life:** 60,000 hr L70
- ▶ **Operating Voltage:** 12V
- ▶ **Powered by:** AMP's Low Voltage Transformer
- ▶ **Torque Setting:** 1.5 ft. lbs.

#### Features & Benefits

- ▶ **Solid Cold Forged Faceplate**
  - Pressure fit- waterproof seal
  - Will not break or bend
  - Weathers to a beautiful patina
- ▶ **Interchangeable Optics for Adjustable Beam Spread**
  - Ships with 60° (installed) and 35° optics
  - 24° and 12° optics sold separately
- ▶ **Waterproof Wire gland where lead wires exit fixture**
  - Prevents ground moisture and insects from entering fixture
- ▶ **Conformally coated circuit board**
  - Added moisture protection for electronic components
- ▶ **Smaller Stake for easier mounting in rougher terrain**
- ▶ **These in-grade lights have 4 additional styles of faceplates to choose from, beacon, shielded, grated and turret (sold separately).**

#### Warranty

Lifetime Warranty

#### Dimming

Light levels for the AMP® ONE HydraPro™ dimmable LED In Grade Well Lights are adjusted with the AMP® ONE Design-Master™ Remote Control. Each fixture can be controlled independently to six preset levels or fine-tuned to the exact desired level.

#### Certifications



File #E466348



File #E466348

**Specifications subject to change without notice.**