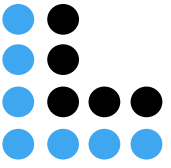


Lumen Logic™

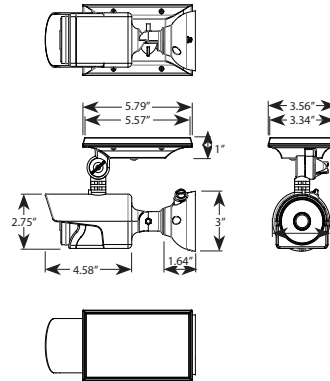
LogiSpot Mini Spot Light Bundle



Project Name: _____
 Date: _____
 Location: _____
 Type: _____
 Model Number: _____
 Quantity: _____
 Prepared By: _____
 Comments: _____



Dimensions



Specifications

Materials

Construction	Plastic
Finish	Black

Photometrics

Light Output (Lumens)	200 Lumens Brightest 25-50 Lumens Dimmest
Operating Hours	8-10 Hours
Charge Time	6.5 Hours
Modes	Off until motion is detected 25% on until motion is detected
Color Temperature (CCT)	3000K
Detects Motion	30 ft

Electrical

Power Supply	Built in Solar Panel
Battery	2200 mAh

Installation

Mounting	9" PVC Stake, Straps, Screws and Magnets
----------	---

Certifications

Warranty	2 Years
----------	---------

Description

The Lumen Logic™ motion sensing solar light is designed to enhance security and can provide wide illumination without delay. It features a built-in solar panel and motion sensor, an integrated LED light source, and offers multiple mounting options (options include: straps, stake, screws, or magnets). With a full-charge (approximately 6.5 hours), this fixture outputs 200 lumens of illumination and can be dimmed down to 25-50 lumens with a total operating time of 8-10 hours. Features (2) modes: Max light output from OFF once motion is detected, light on for 15 seconds. Or, ON at 25% light output then max output once motion is detected, bright light on for 15 seconds before reverting to 25% output.

LumenLogic™
 15486 N. Nebraska Ave.
 Lutz, FL 33549
 (833) 695-8636

Notes

1) Information provided is subject to change without notice. All values are design or typical values when measured under laboratory conditions.
 2) Incandescent Equivalent: The incandescent equivalent as presented is an approximate number and is for reference only.

