

PRODUCT SPECIFICATIONS

Project Name _____ Date _____



Type or Model _____ Qty _____

VOLT® Low Voltage Landscape Lighting

VOLT® 6W RGBCW LED MR16 Bulb - MR16-35-RGBCW1

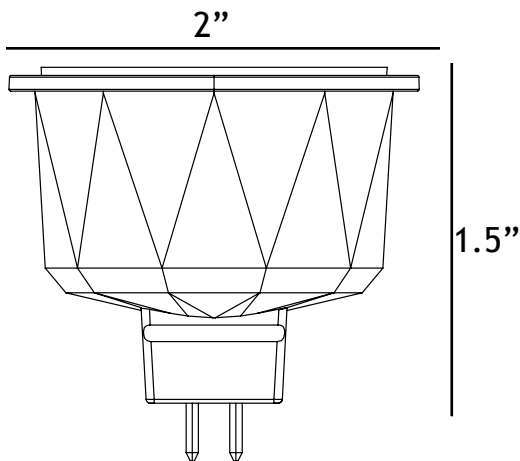
PRODUCT DESCRIPTION

Introducing the first ever VOLT® RGBCW LED MR16 bulb – our first replaceable color-changing LED bulb. Effortlessly choose from a wide spectrum of colors, adjust the brightness, control the color temperature (warm 2200K to crisp, bright 4000K), or set up to 6 zones all through the RF remote (sold separately).

Ideal for applications where balanced, multi-colored illumination is desired. Designed and optimized to fit all current MR16 fixtures



PRODUCT DIMENSIONS



SPECIFICATIONS

- **Input Voltage:** 11-16V, 50/60Hz AC
- **Beam Angles:** 38° or 60° beam spreads
- **Correlated Color Temperature (CCT):** 2200K, 2700K, 3000K, 4000K
- **Color Rendering Index (CRI):** > 80
- **Operating Voltage:** 12VAC
- **Powered by:** VOLT's Low Voltage Transformer
- **Watts:** 6W
- **Lumens:** 260 at 2200K | 300 at 4000K

FEATURES & BENEFITS

- Replacements for 35W Halogen MR16 lamps
- 38° or 60° beam spreads
- **Requires VOLT® RF Remote Control (sold separately) for usage. One remote controls all VOLT® RGBCW lamps.**
- Designed and optimized for compatibility with all current MR16 fixtures.
- RGB + Cool White to Warm White
- Dimmable

WARRANTY

Residential: Lifetime Warranty
Commercial: 10-Year Warranty