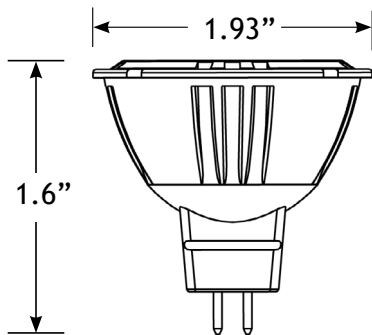


Low Voltage Landscape Lighting Colored Single Source LED MR16 Bulbs

Product Description

Engineered to withstand the elements, these LED bulbs are designed specifically for low-voltage landscape lighting and are backed by a Lifetime Warranty. Multi-source technology combined with true-to-color LEDs creates powerful, vibrant colors of light output. Ideal for applications where balanced, colorful illumination is desired. The LED MR16 Bulbs are a CONFORMING SIZE - the LED Lightbulbs will fit any of our landscape lighting fixtures that require an MR16 bulb. Select the color that's best suited for the application.

Product Dimensions



Features & Benefits

- ▶ 40 watt halogen replacement
- ▶ 60 Degree Beam Angle
- ▶ Multi-source technology combined with true-to-color LEDs creates powerful, vibrant colors of light output.
- ▶ Reduces energy consumption by about 75%
- ▶ Lasts up to 8 times longer than halogen lamps or 40,000 hours
- ▶ No warm-up time, instant-on with full light output and stable lamp to lamp color
- ▶ OSRAM LED chips



Specifications

- ▶ **Input Voltage:** 11-16V
- ▶ **Watts:** 6
- ▶ **Lumen Output:**
 - RED - 115 lm (640-660nm)
 - GREEN - 615 lm (520-540nm)
 - BLUE - 60 lm (440-460nm)
 - ORANGE - 375 lm (610-630nm)
- ▶ **Life:** 40,000 hours (L₇₀)

Warranty

Residential: Lifetime Warranty
Commercial: 10-Year Warranty

Certifications

