

PRODUCT SPECIFICATIONS

AMP®

Project Name _____ Date _____

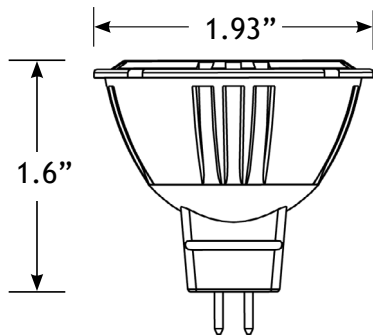
Type or Model _____ Qty _____

AMP® Low Voltage Landscape Lighting AMP® Colored Single Source LED MR16 Bulbs

Product Description

Engineered to withstand the elements, AMP® LED lamps are designed specifically for low-voltage outdoor lighting and are backed by a Lifetime Warranty. Multi-source technology combined with true-to-color LEDs creates powerful, vibrant colors of light output. Ideal for applications where balanced, colorful illumination is desired. AMP® LED MR16 Bulbs are a CONFORMING SIZE - the LED Lightbulbs will fit any AMP® LED landscape lighting fixtures that require an MR16 bulb. Select the color that's best suited for the application.

Product Dimensions



Features & Benefits

- ▶ 40 watt halogen replacement
- ▶ 60 and 38 Degree Beam Angle
- ▶ Multi-source technology combined with true-to-color LEDs creates powerful, vibrant colors of light output.
- ▶ Reduces energy consumption by about 75%
- ▶ Lasts up to 8 times longer than halogen lamps or 40,000 hours
- ▶ No warm-up time, instant-on with full light output and stable lamp to lamp color
- ▶ OSRAM LED chips



Specifications

- ▶ **Input Voltage:** 11-16V
- ▶ **Watts:** 6
- ▶ **Lumen Output:**
 - ▶ RED - 640-660nm
 - ▶ GREEN - 520-540nm
 - ▶ BLUE - 440-460nm
 - ▶ ORANGE - 610-630nm
- ▶ **Life:** 40,000 hours (L₇₀)

Warranty

Lifetime Warranty

Certifications



File #E366121



File #E366121