



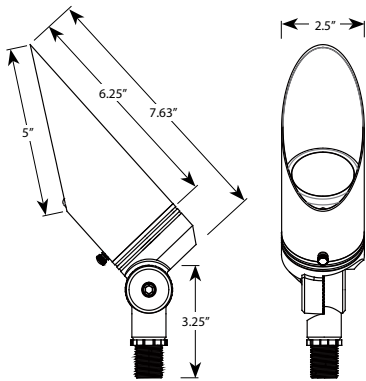
VOLT® Low Voltage Landscape Lighting

The All-Star™ MR-16 Brass Downlight- VAL-1814-40-BBZ

Product Description

The All-Star™ MR-16 Downlight has been specifically designed by VOLT® with downlighting and moonlighting in mind. The 40' lead wire makes for easy installation in higher areas without the need to splice while up in a tree. The extra-large knuckle with 42 small interlocking teeth allows for precision aiming without the risk of the fixture aim falling due to gravity over time. The knuckle is not only gasketed, but was designed to prevent water from reaching the socket should water somehow intrude, by forcing water to run down the side of the faceplate and out the 360 degree weep holes surrounding the front lens. The glare guard is fully adjustable, but can be secured even tighter by utilizing the set ring around the fixture's faceplate. Another water shedding benefit to the design of this downlight is that the backside of the body is larger than the front faceplate, allowing for easy water shedding at any downward angle. The All-Star™ Downlight lives up to its name and the VOLT® quality. The aesthetic design compliments the rest of the All-star™ line by VOLT® so you or your customer knows you are using top of the line lighting fixtures. These can be mounted using one of VOLT's surface, tree, or tripod mounts and come with a lifetime warranty.

Product Dimensions



Warranty

Lifetime Warranty

Certifications



Specifications

- ▶ **Construction:** Brass
- ▶ **Finish:** Bronze
- ▶ **Lead Wire:** 18 AWG
- ▶ **Mounting:** Surface, Tree or Tripod Mount
- ▶ **Lens:** Flat
- ▶ **Light Source:** MR16 (sold separately)
- ▶ **Operating Voltage:** 12VAC
- ▶ **Powered by:** VOLT's Low Voltage Transformer

Features & Benefits

- ▶ Solid Cast Brass Construction.
- ▶ Pre-aged finish; natural patina that does not corrode.
- ▶ Beryllium copper socket more corrosion resistant than copper.
- ▶ Silicone plug at lead wire exit prevents ground moisture and insects from entering luminaire through the stem.
- ▶ 360 degree weep holes surround the front lens to allow water to drain.
- ▶ Extra-long (1-inch) strip resistant threading and solid brass locknut provide superior mounting stability.
- ▶ Heavy duty adjustable knuckle and adjustable glare guard allows light to be precision aim.