



# VOLT® Low Voltage Landscape Lighting

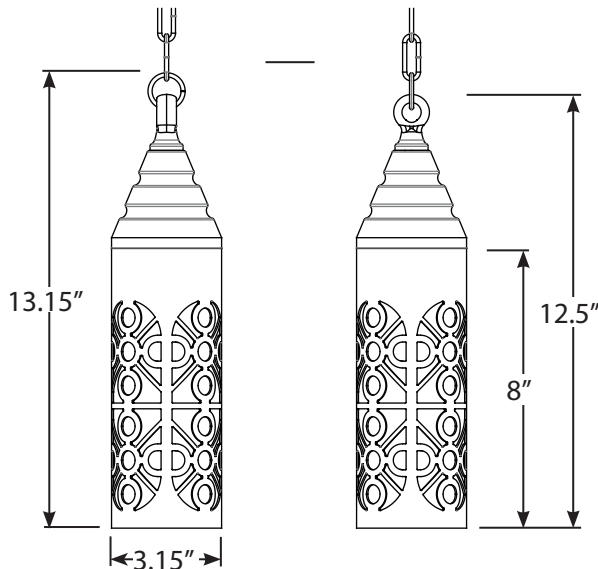
## Estate Pendant Brass LED Hanging Light- VAL-9503-4036-BBZ

### Product Description

This estate-size hanging light is designed to illuminate large areas on the ground by hanging from a limb or tall pergola in order to provide a nice even coverage over a wide area. The benefit of the hanging lights is that they do not have to be mounted under anything in order to keep water out, as the wire exits are completely sealed to prevent water from entering the fixtures. This fixture illuminates a circular spot directly beneath the fixture and also produces a beautiful, decorative pattern around this spot; similar to that of the light produced by the Tranquility Hanging Light. Designed and optimized for use with VOLT® Bi-Pin LED Puck Lights which can be tightly secured to the socket by screws to prevent the light source from being knocked out. Fixture also accepts replaceable MR16 LED bulbs. Backed by a Lifetime Warranty.



### Product Dimensions



### Specifications

- Construction: Brass
- Finish: Bronze
- Lead Wire: 18AWG
- Light Source (not included): Bi-Pin LED Puck Lights OR LED MR16
- Operating Voltage: 12VAC
- Powered by: VOLT's Low Voltage Transformer

### Warranty

Lifetime Warranty

### Certifications



### Features & Benefits

- Produces a decorative light pattern when lit.
- Pre-aged finish; no powder coating, paint or finish to wear off or peel—just natural patina that does not corrode
- 36" brass chain and a cast brass mounting bracket for secure attachment
- Pressure rubber gasket for a moisture tight design
- Tri mount for easy installation.