



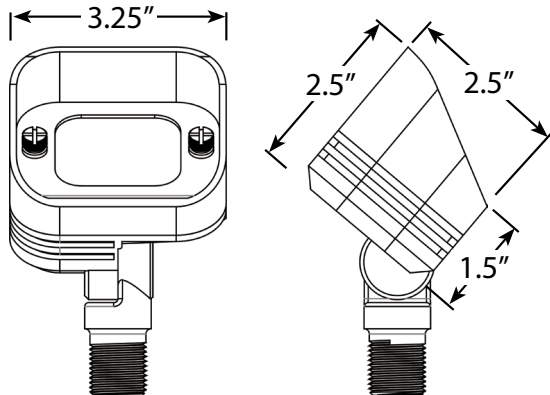
# VOLT® Low Voltage Landscape Lighting Integrated LED Big Splash, VFL-4602 Series

## Product Description

The Integrated LED Big Splash fixture packs a punch at 500 lumens with its clear lens; while allowing you to adjust the performance, by swapping out the clear lens with a diffused or frosted version. With an extremely durable construction; the Integrated LED Big Splash is made to last. These flood lights are ideal for illuminating signs, walls and plant material. There are no bulbs to change and no need to stress. These fixtures make it extremely easy to install it and forget it. You can rest easy knowing full well that these fixtures will stand the test of time and keep providing a beautifully diffused light for many years to come.



## Product Dimensions



## Features & Benefits

- ▶ Solid Cast Brass.
- ▶ Pre-aged finish- a natural patina that does not corrode.
- ▶ Silicone plug at lead wire exit prevents ground moisture and insects from entering luminaire through the stem.
- ▶ Three Lenses for optimal performance adjustability.
- ▶ Pressure fit gasket for tight seal to protect against water and dust entry.

## Specifications

- ▶ **Construction:** Brass
- ▶ **Finish:** Bronze
- ▶ **Lead Wire:** 16AWG
- ▶ **Mounting:** 10" Hammer® Stake with cutout for wire exit
- ▶ **Lens:** Clear (installed), Frosted and Spread Diffusion Lenses (included).
- ▶ **Light Source:** Integrated LED
- ▶ **Operating Voltage:** 9-16 VAC
- ▶ **Powered by:** VOLT's Low Voltage Transformer

## Warranty

Lifetime Warranty

## Certifications



LISTED File #E466348



LISTED File #E466348