

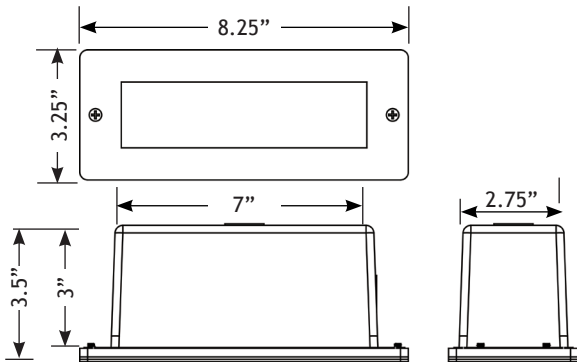


VOLT® Low Voltage Landscape Lighting Brass Bunker Step Lights

Product Description

The Brass Bunker Step Lights are rated for in-grade concrete pour applications! Everything is cast brass including the back box! 99% of other manufactures use a folded sheet metal box (like an indoor electrical box--they leak and are not water proof). These step lights are not only a heavy weight, but are completely sealed and water tight. With a rubber seal around lead wire exit, pressure fit rubber gaskets around and openings, and tinned copper wiring; these fixtures are simply the best! Step lights are great when you need general area illumination out of a recessed wall fixture. They are often used in commercial applications to illuminate handicap ramps and walkways next to stone walls, retaining walls and nooks around outdoor kitchens.

Product Dimensions



Features & Benefits

- ▶ Solid cast brass faceplate
- ▶ Corrosion resistant non-metallic canister
- ▶ Pre-aged finish- a natural patina that does not corrode
- ▶ Silicone plug at lead wire exit prevents ground moisture and insects from entering luminaire through the stem
- ▶ Beryllium copper socket - more corrosion resistant than copper
- ▶ Completely water tight; pressure rubber gasket and rubber seal around wire exit
- ▶ Clear lens for increased photometric results
- ▶ Lens flush with fixture so water cannot puddle

Specifications

- ▶ **Construction:** Cast Brass
- ▶ **Finish:** Bronze
- ▶ **Lead Wire:** 48" (standard) or 25' (optional) 16AWG, SPT-2
- ▶ **Glass or Lens:** Clear lens
- ▶ **Light Source (Sold Separately):** Bipin (LED or Halogen)
- ▶ **Maximum Lamp Rating:** 35W
- ▶ **Operating Voltage:** 12V AC
- ▶ **Powered by:** VOLT's Low Voltage Transformer

Warranty

VOLT Lifetime Warranty

Certifications

