



VOLT® Low Voltage Lighting

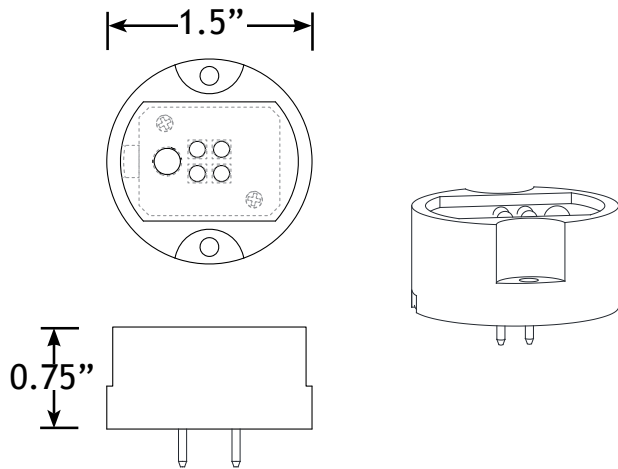
RGBW BuddyPro™ Brass LED Bi-Pin Puck Light-VHS-6725-0-BRB

Product Description

The VOLT® Bi-Pin Puck Lights are designed for specific use with VOLT®'s estate hanging lights, mini hanging lights, and customizable bollard lights. This integrated LED bi-pin puck light is the first of the series to offer powerful, vivid RGBW color-changing capabilities. True-to-color LEDs produce powerful, vibrant colors. The Bi-Pin design allows for quick and easy installation of the light source. The pre-drilled screw holes allow for secure fastening to the light sockets - the light source will not become dislodged if the fixture is knocked/rattled. Constructed of a round brass disc with a VOLT®-engineered driver embedded in waterproof epoxy. Simple to install; simply remove the current bi-pin puck light from the socket and drop in the replacement. With an estimated life of 40,000 hours and extremely low energy consumption, this solid brass RGBW LED light is an energy efficient lighting powerhouse in a very small package. Backed by a Lifetime Warranty.



Product Dimensions



Specifications

- ▶ Construction: Brass
- ▶ Finish: Raw Brass
- ▶ Light Source: Integrated LED
- ▶ Color Temperature: White- 2700K
- ▶ CRI: 80+
- ▶ Operating Voltage: 6-18 VAC, with decreased lumens under 9V
- ▶ Wattage: 4W
- ▶ Lumens: 300 2700K White
- ▶ Lumen Maintenance: 40,000 hours L70
- ▶ Powered by: VOLT® Low Voltage Transformers

Features & Benefits

- ▶ Solid Brass Construction
- ▶ Red, Blue & Green color options
- ▶ Controlled by an IR remote
- ▶ GU5.3 Bi-Pin
- ▶ IP65 Rated
- ▶ Embedded in water resistant epoxy

Warranty

Residential: Lifetime Warranty
Commercial: 10-Year Warranty

Certifications



File #E366121



File #E366121

Specifications subject to change without notice.

© Copyright 2023, VOLT® Lighting, Lutz, FL USA 33549 • All rights reserved • 813.978.3700