



VOLT® 12V LED Lamps

Single Source MR8 2700K

Product Description

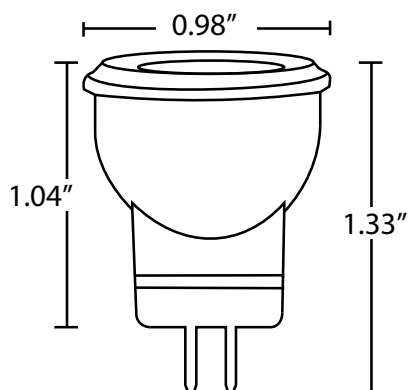
The VOLT® LED MR8 lamp is designed to match the form factor and illumination of the halogen bulb it replaces.

This lamp is an instant-on and is available in a 38° beam spread. The lamp is a conforming size to fit the need of any application. This MR8 has an estimated life of 40,000 hours.

All VOLT® LED lamps are backed by our Lifetime Replacement Warranty (for residential applications); the warranty for commercial projects is 10 years.



Product Documentation



Features & Benefits

- ▶ Replacements for:
 - 15W Halogen
 - 38° Beam Angle
- ▶ Reduces energy consumption by about 75%
- ▶ Lasts up to 8 times longer than halogen lamps
- ▶ No warm-up time, instant-on with full light output and stable lamp to lamp color

Specifications

- ▶ **Input Voltage, Frequency:** 6-18VAC, 50/60Hz, with decreased lumens under 10V
- ▶ **Input Power:** 2W
- ▶ **Beam Angles:** 38° (flood)
- ▶ **Lumen Output:** 175lm
- ▶ **Correlated Color Temperature (CCT):** 2700K
- ▶ **Color Rendering Index (CRI):** >83
- ▶ **Life:** 40,000 hours (L₇₀)

Warranty

Residential: Lifetime Warranty

Commercial: 10-Year Warranty

Specifications subject to change without notice.

© Copyright 2021, VOLT® Lighting, Lutz, FL USA 33549 • All rights reserved • 813.978.3700

www.voltlighting.com