

PRODUCT SPECIFICATIONS



Project Name _____ Date _____

Type or Model _____ Qty _____

VOLT® Low Voltage Lighting Regal Path & Area Light VPL-1012-Axx Series

Product Description

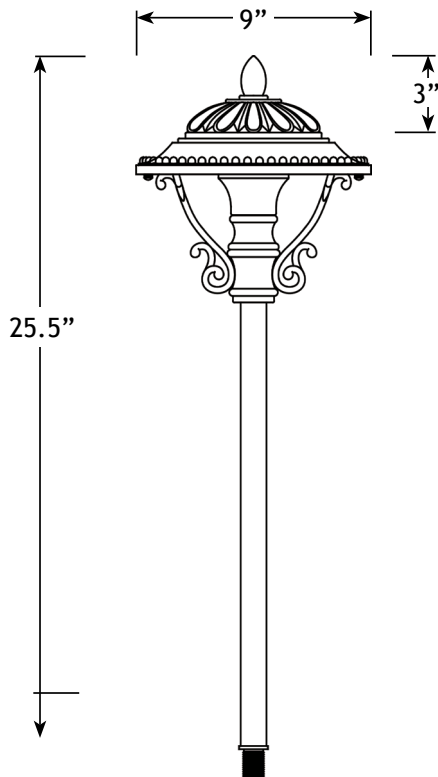
VOLT® Regal Path & Area Lights are professional grade fixtures with an ornate appearance that complements many architectural and landscape styles. The elegant scroll, decorative shade, and classic finial bring a touch of regality to your landscape.

The fixtures produce wide beams of soft-edged light making them ideal for path and step illumination. The light source is a replaceable LED lamp (purchased separately).

The VOLT Regal Path and Area Light is covered by a 5 year warranty.



Product Dimensions



Features & Benefits

- ▶ Aluminum Construction with Black or Bronze Finish
- ▶ Silicone plug at lead wire exit prevents ground moisture and insects from entering luminaire through the stem.
- ▶ Polycarbonate shatter-resistant lens

Warranty

5 Year Warranty



VOLT® Low Voltage Lighting

Regal Path & Area Light

VPL-1012-Axx Series

Lamp Options

Item Number	Description	Power Supply Requirement
G4-15-12V-827	VOLT® 15 watt equivalent LED Bi-Pin 2700K	2W
G4-20-12V-827	VOLT® 20 watt equivalent LED Bi-Pin 2700K	3W
G4-35-12V-827	VOLT® 35 watt equivalent LED Bi-Pin 2700K	4W
G4-15-12V-830	VOLT® 15 watt equivalent LED Bi-Pin 3000K	2W
G4-20-12V-830	VOLT® 20 watt equivalent LED Bi-Pin 3000K	3W
G4-35-12V-830	VOLT® 35 watt equivalent LED Bi-Pin 3000K	4W
8JC10-10W	10W Bi-Pin Halogen Lamp	10W
8JC10-20W	20W Bi-Pin Halogen Lamp	20W

Fixture Lumens

15 watt Equivalent	20 watt Equivalent	35 Watt Equivalent
80 Lumens	130 Lumens	165 Lumens

Specifications

- ▶ **Construction:** Aluminum
- ▶ **Finish:** Black or Bronze
- ▶ **Lead Wire:** 48" 18AWG, SPT-2 premium tinned copper
- ▶ **Mounting:** 10" Hammer Stake with cutout for wire exit
- ▶ **Light Source:** VOLT LED Bi-Pin Lamp
- ▶ **Operating Voltage:** 12VAC-15VAC
- ▶ **Powered by:** VOLT's Low Voltage Transformer

Specifications subject to change without notice.

© Copyright 2015, VOLT® Lighting, Lutz, FL USA 33549 • All rights reserved • 813.978.3700