

PRODUCT SPECIFICATIONS



Project Name _____ Date _____

Type or Model _____ Qty _____

VOLT® Low Voltage Lighting Belladonna Path & Area Light VPL-1024-Axx Series

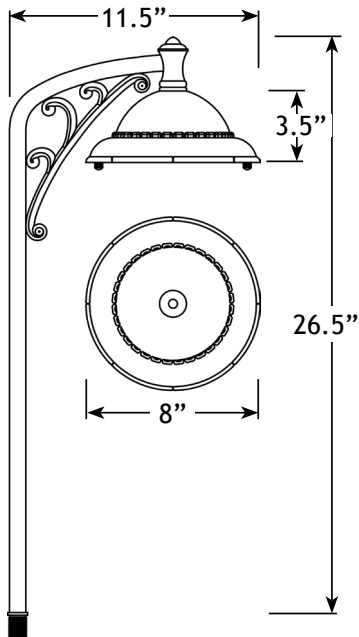
Product Description

The VOLT® Belladonna Path & Area Lights are professional grade fixtures with an elegant and ornate appearance. These fixtures complement most architectural and landscape styles. They provide wide evenly dispersed illumination ideal for walkways and landscape areas.

The offset shade configuration allows for the stem to be set back while the illumination projects forward of the stem. This is good for situations where you need to insert the stake into the ground several inches beyond the edge of the path or garden.



Product Dimensions



Features & Benefits

- ▶ Aluminum Construction with Black or Bronze Finish
- ▶ Silicone plug at lead wire exit prevents ground moisture and insects from entering luminaire through the stem.
- ▶ Polycarbonate shatter-resistant lens

Warranty

5 Year Warranty



VOLT® Low Voltage Lighting Belledonna Path & Area Light VPL-1024-Axx Series

Lamp Options

Item Number	Description	Power Supply Requirement
G4-15-12V-827	VOLT® 15 watt equivalent LED Bi-Pin 2700K	2W
G4-20-12V-827	VOLT® 20 watt equivalent LED Bi-Pin 2700K	3W
G4-35-12V-827	VOLT® 35 watt equivalent LED Bi-Pin 2700K	4W
G4-15-12V-830	VOLT® 15 watt equivalent LED Bi-Pin 3000K	2W
G4-20-12V-830	VOLT® 20 watt equivalent LED Bi-Pin 3000K	3W
G4-35-12V-830	VOLT® 35 watt equivalent LED Bi-Pin 3000K	4W
8JC10-10W	10W Bi-Pin Halogen Lamp	10W
8JC10-20W	20W Bi-Pin Halogen Lamp	20W

Fixture Lumens

15 watt Equivalent	20 watt Equivalent	35 Watt Equivalent
185 Lumens	280 Lumens	365 Lumens

Specifications

- ▶ **Construction:** Aluminum
- ▶ **Finish:** Black or Bronze
- ▶ **Lead Wire:** 48" 18AWG, SPT-2 premium tinned copper
- ▶ **Mounting:** 10" Hammer Stake with cutout for wire exit
- ▶ **Light Source:** VOLT LED Bi-Pin Lamp
- ▶ **Operating Voltage:** 12VAC-15VAC
- ▶ **Powered by:** VOLT's Low Voltage Transformer

Specifications subject to change without notice.

© Copyright 2015, VOLT® Lighting, Lutz, FL USA 33549 • All rights reserved • 813.978.3700