



VOLT® Low Voltage Landscape Lighting

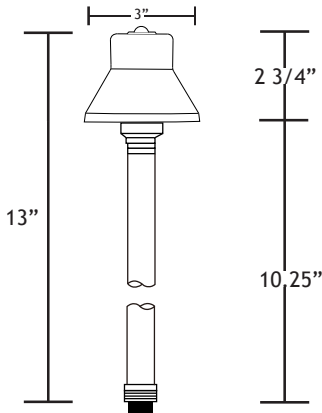
Flat Hat 3” Mini Path & Area Lights - 305 Series

Product Description

The Flat Hat 3” Mini Path & Area Light is a high-quality outdoor light that is perfect for illuminating narrow pathways, walkways and small flower beds. The solid construction is designed to stand up to everything that mother nature throws at it, yet still be easily accessible for maintenance. Corrosion-resistant internal components and easy-to-change bulb socket-and-enclosure ensure years of optimal performance. Lifetime Warranty.



Product Dimensions



Specifications

- ▶ **Construction:** Brass
- ▶ **Finish:** Bronze
- ▶ **Lead Wire:** 4’ (standard) 18AWG
- ▶ **Mounting:** 10” Hammer® Stake with cutout for wire exit
- ▶ **Lens:** Clear protective polycarbonate lens
- ▶ **Light Source (sold separately):** Bi-Pin (LED or Halogen)
- ▶ **Operating Voltage:** 12V AC
- ▶ **Powered by:** VOLT’s Low Voltage Transformer

Features & Benefits

- ▶ Solid Brass
- ▶ Pre aged patina
- ▶ Stem is 1-inch thick and includes extra-long (1-inch) strip resistant threading for greater stability
- ▶ Beryllium copper socket - more corrosion resistant than copper
- ▶ Silicone plug at lead wire exit prevents ground moisture and insects from entering luminaire through the stem
- ▶ Machine threaded body screws tight onto an O-ring for a moisture tight design

Warranty

Lifetime Warranty

Certifications

