



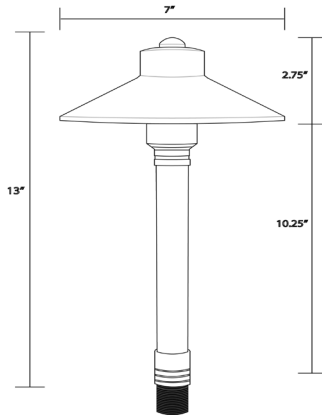
VOLT® Low Voltage Landscape Lighting

Flat Hat 7" Mini Path & Area Lights - 320 Series

Product Description

The Flat Hat 7" Shade Mini has a 14" overall height (with an extra inch of threading). Featuring a heavy duty 1" thick stem, premium grade internal components, and solid cast brass construction. Height adjustability is available with optional matching 6, 12, and 24" extension rods. Perfect for illuminating pathways, walkways, flowerbeds, and docks. Also ideal for using a surface mount and mounting on top of walls, pillars, and custom applications.

Product Dimensions



Features & Benefits

- ▶ Solid Brass or Copper Construction.
- ▶ Pre aged patina or powder coated finish
- ▶ Stem is 1-inch thick and includes extra-long (1-inch) strip resistant threading for greater stability.
- ▶ Beryllium copper socket - more corrosion resistant than copper.
- ▶ Silicone plug at lead wire exit prevents ground moisture and insects from entering luminaire through the stem.
- ▶ Machine threaded body screws tight onto an O-ring for a moisture tight design.

Specifications

- ▶ **Construction:** Solid Brass or Solid Raw Copper
- ▶ **Finish:** Bronze, Powder Coated Black, or Raw Copper
- ▶ **Lead Wire:** 4' (standard) 18AWG
- ▶ **Mounting:** 10" Hammer® Stake with cutout for wire exit
- ▶ **Lens:** Clear protective polycarbonate lens
- ▶ **Light Source (sold separately):** Bi-Pin (LED or Halogen)
- ▶ **Operating Voltage:** 12V AC
- ▶ **Powered by:** VOLT's Low Voltage Transformer

Warranty

Lifetime Warranty

Certifications

