



VOLT® Solar Landscape Lighting

Solar Deck Light- VSDL-6012-PBK-R1

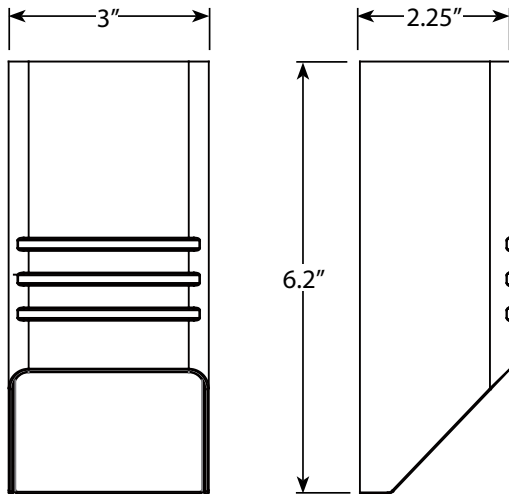
Product Description

An eco-friendly deck light with longevity in mind - the Solar Integrated LED Deck Light is constructed with durable ABS plastic and finished in a UV-resistant black. Adding to the durability of this fixture is an IP65 rating certifying that this fixture's components are protected against dust and jetting water.

Fully charged, the solar panel emits 30 lumens of a warm 2700K glow for 5-6 hours before automatically powering off. Install this light with ease in any hardscape application that gets plenty of direct sunlight thanks to a wireless design that makes this fixture perfect for areas without low-voltage wiring.



Product Dimensions



Features & Benefits

- ▶ Plastic black solar deck light made with an ABS material that is UV resistant.
- ▶ Monocrystalline cell solar panel.
- ▶ Comes with water-tight gaskets to prevent water from entering the fixture. IP65 rated.

Specifications

- ▶ **Construction:** Plastic
- ▶ **Finish:** Black
- ▶ **Mounting:** Stainless steel bracket and screws
- ▶ **Light Output:** 30 lumens that gradually diminish as the batteries drain
- ▶ **Lens:** Clear Glass
- ▶ **Light Source:** Integrated LED
- ▶ **Charge Time:** 8 hours of uninterrupted sunlight for full battery charge
- ▶ **Battery Information:** 3pcs AAA Ni-MH rechargeable batteries with 500Mah, output 3.6v DC, 1.8Wh
- ▶ **Powered by:** VOLT's attached solar panel

Warranty

2 Year Warranty