



VOLT® Low Voltage Landscape Lighting 150 & 300 Watt 12-15V Multi-Tap Transformer

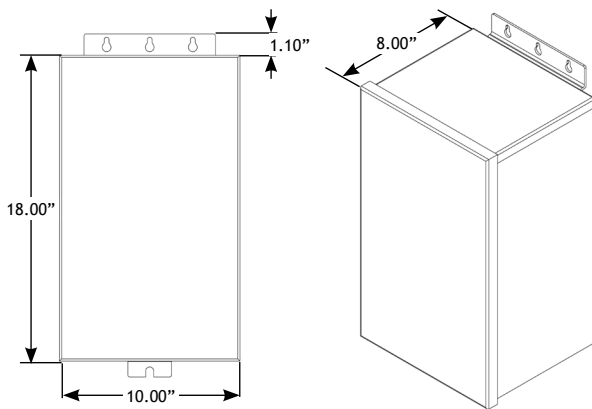
Product Description

The low voltage transformer is at the heart of every landscape lighting system. It converts the 120 VAC house current to a low voltage current (between 12 and 15 volts). The efficiency of this conversion determines how well the transformer controls the voltage output, and how much energy is consumed in the process.

VOLT® transformers are the most efficient multi-tap low voltage transformers in the industry, providing high performance and energy savings. With high quality toroidal cores and robust wiring and internal components, these transformers provide a highly stable source of current with very low energy consumption. Use of VOLT® transformers ensure that the low voltage landscape lighting system runs at optimal efficiency for a lifetime of operation.



Product Dimensions



Certifications



Features & Benefits

- ▶ Highly efficient toroidal core* - runs cooler, generates less noise, with less voltage loss under load.
- ▶ Unique color-coded wire markers for easy maintenance and troubleshooting.
- ▶ Extra-large voltage taps (UL 1838 compliant) - to accommodate landscape lighting systems of any size.
- ▶ Available in 150w and 300w capacities
- ▶ Includes a photocell and timer receptacle.
- ▶ ETL Listed for both indoor and outdoor use.

Specifications

- ▶ **Housing:** Non-brushed 304 stainless steel with removable cover
- ▶ **Power Cord:** 60" black 18AWG SJTW cord and plug set
- ▶ **Input Voltage:** 120V
- ▶ **Voltage Taps:**
 - All models: 12 VAC, 13 VAC, 14 VAC, 15 VAC
- ▶ **Primary Circuit Protection:** Automatic (auto reset) thermal breaker in core
- ▶ **Secondary Circuit Protection:** (1) 25A Magnetic Circuit Breakers
- ▶ **Capacity:** 150W

Warranty

Lifetime Warranty