



# VOLT® Low Voltage Landscape Lighting

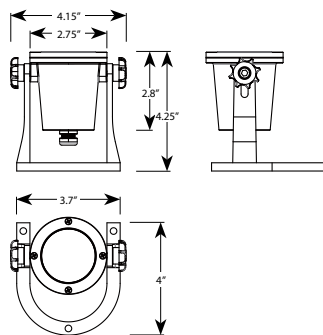
## Salty Dog MR11 Underwater Light- VUL-6801-BBZ

### Product Description

This redesigned underwater light is now more compact than ever - ideal for areas where a low-profile underwater light is desired. The Salty Dog Underwater Light is made from cold forged brass which is less porous than cast brass and better suited for water related conditions. It also has a pressure fit gasket that creates a tight seal keeping water out of the internal housing. This innovative underwater light features an adjustable lamp housing that can move up and down as well as an adjustable lamp gimbal to allow for directional precision aiming. Newly designed wire glands prevent water from getting into the fixture at one of the most common points of failure. Along with a newly designed mount for better underwater stability, this fixture is also not required to be fully-submersed at all times due to its efficient heat dissipation. This fixture comes lamp-ready so you are able to customize your lighting with an array of our MR11 lamps. Versions offered include: Open-Face, Grated, and Shielded.



### Product Dimensions



### Features & Benefits

- ▶ Cold forged brass faceplate for maximum durability.
- ▶ Completely water tight and fully submersible.
- ▶ Tools for fixture are provided.
- ▶ Fully adjustable lamp housing that moves up and down.
- ▶ Pressure fit gasket (must be tightened in a star pattern).
- ▶ Adjustable gimbal socket for directional precision aiming.
- ▶ Efficient heat dissipation. This fixture can be used in water or on land.

### Specifications

- ▶ **Construction:** Brass
- ▶ **Finish:** Bronze
- ▶ **Lead Wire:** 18 AWG
- ▶ **Lens:** Clear Flat Glass
- ▶ **Light Source:** MR11 Bulb
- ▶ **Operating Voltage:** 12VAC
- ▶ **Powered by:** VOLT's Low Voltage Transformer
- ▶ **IP Rating:** 68
- ▶ **Faceplate Options:** Open-Faced (pictured), Grated, Shielded

### Warranty

Lifetime Warranty

### Certifications

