



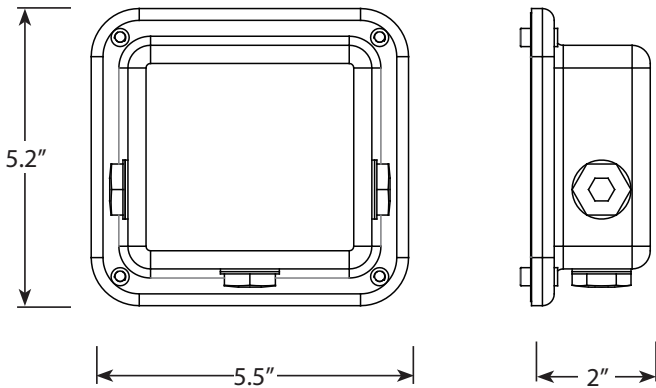
# AMP® Line Voltage Landscape Lighting Line Voltage Junction Hub- AAC-HUB1-LI-SS

## Product Description

This stainless steel junction box is a UL Listed enclosure that houses electrical connections safe and secure from weather and pests. Multiple entrances allow for conduit to be connected and wire splices made within. Internal clamp-connectors make for simple, secure wire connections. Installation hardware included. Rated for both line-voltage (120V) and low-voltage (12V), this particular junction hub can be used with all AMP® fixtures.



## Product Dimensions



## Specifications

- ▶ Construction: Stainless Steel
- ▶ Useable Wire Gauge: 12AWG - 18AWG
- ▶ Operating Voltage: 12VAC or 120VAC
- ▶ 12V System Max Voltage: AC15V 20A

## Warranty

Lifetime Warranty

## Certifications



## Features & Benefits

- ▶ Stainless Steel Construction.
- ▶ 3 clamp-connectors allow for multiple fixture connections.
- ▶ Wrench and Allen Key installation hardware are included.
- ▶ 3 Water Tight Wire Exits fit 1/2" Conduit
- ▶ Can be used for 12V or 120V purposes.