



# AMP® Low Voltage Landscape Lighting

## PinnaclePro Downlight (Lamp Ready)- AAL-1016

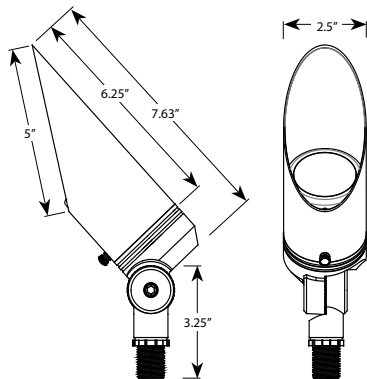
### PRODUCT DESCRIPTION

Crafted with precision from solid brass and finished with our black Onyx finish powder coat, this downlight assures a lifetime of enduring performance, designed to withstand the rigors of outdoor environments.

Engineered for reliability, this downlight features 360-degree weep holes surrounding the front lens, facilitating efficient water drainage to maintain clear and unobstructed lighting. The adjustable knuckle allows for precise aiming, guaranteeing optimal illumination for every outdoor application from mounting the fixture in trees for a moonlighting effect to mounting under eaves or gutters to provide a wash light on architectural surfaces, pathways, and plant material. The fixture is also ideal for downlighting from beams in gazebos, pergolas and arbors.



### PRODUCT DIMENSIONS



### FEATURES & BENEFITS

- ▶ Cast Brass Construction.
- ▶ Beryllium copper socket - more corrosion resistant than copper.
- ▶ Silicone plug at lead wire exit prevents ground moisture and insects from entering luminaire through the stem.
- ▶ 360 degree weep holes surround the front lens to allow water to drain.
- ▶ Extra-long (1-inch) strip resistant threading and solid brass locknut provide superior mounting stability.
- ▶ Heavy duty adjustable knuckle and adjustable glare guard allows light to be precision aim.

### SPECIFICATIONS

- ▶ Construction: Brass
- ▶ Finish: Black
- ▶ Lead Wire: 40' 18AWG
- ▶ Mounting: Surface or Tree Mount
- ▶ Lens: Clear Flat Glass
- ▶ Light Source (not included): MR16 (LED or Halogen)
- ▶ Operating Voltage: 12VAC
- ▶ Powered by: AMP's Low Voltage Transformer

### WARRANTY

Lifetime Warranty

### CERTIFICATIONS

