



AMP® Low Voltage Landscape Lighting

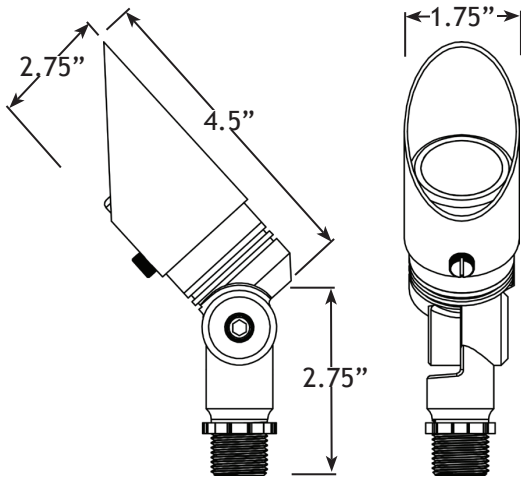
AMP® Mini PinnaclePro MR11 Black Spotlight - (AAL-1018-4-B-BK)

PRODUCT DESCRIPTION

Illuminate your surroundings with the AMP® Mini PinnaclePro MR11 Black Spotlight, the epitome of performance and style. Crafted with solid brass construction and a modern black powder-coating finish, this spotlight combines durability with an elegant aesthetic that seamlessly blends into any setting. Designed to withstand the elements, this spotlight boasts a moisture-tight construction that ensures reliable performance even in challenging weather conditions. Rain or shine, your lighting remains flawless, adding a touch of brilliance to every scene. Featuring an adjustable glare guard and an adjustable knuckle, the Mini PinnaclePro offers unparalleled precision-aiming capabilities. Tailor the lighting angle with utmost accuracy, directing the spotlight exactly where you want it, creating captivating displays and emphasizing key features effortlessly.



PRODUCT DIMENSIONS



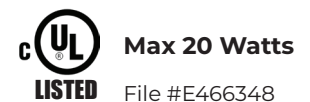
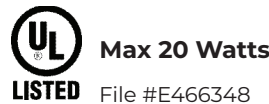
SPECIFICATIONS

- **Construction:** Cast Brass
- **Finish:** Black
- **Lead Wire:** 4' 18AWG
- **Mounting:** 9" PVC Stake
- **Lens:** Clear Flat Glass
- **Light Source (not included):** MR11 (LED or Halogen)
- **Operating Voltage:** 12VAC
- **Powered by:** AMP's Low Voltage Transformer

WARRANTY

Lifetime Warranty

CERTIFICATIONS



FEATURES & BENEFITS

- Cast Brass Construction.
- Black Powdercoat Finish
- Beryllium copper socket – more corrosion resistant than copper.
- Silicone plug at lead wire exit prevents ground moisture and insects from entering luminaire through the stem.
- Water Tight Silicone O-Ring - keeps water from entering luminaire.
- Extra-long (1-inch) strip resistant threading and solid brass locknut provide superior mounting stability.
- Heavy duty adjustable knuckle and adjustable glare guard allows light to be precision aimed.