



AMP® Low Voltage Landscape Lighting

G2 EcoPro Brass Black Spotlight- AAL-1052

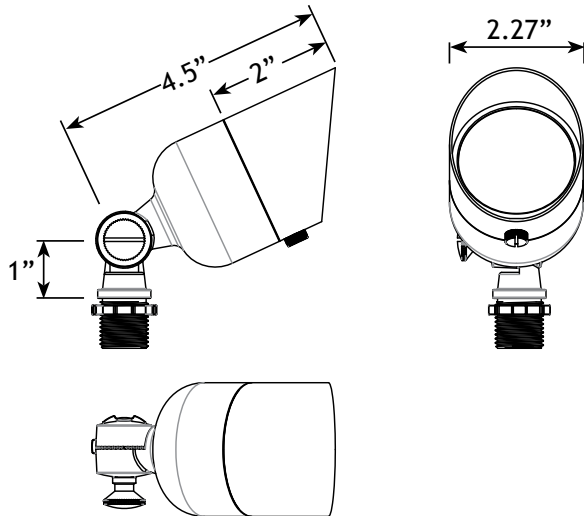
PRODUCT DESCRIPTION

Designed to excel in any lighting installation, our G2 EcoPro Spotlight features a smaller fixture that snugly fits around the MR16 lamp. Say goodbye to shaking or loose lamps, as our innovative design ensures a secure and stable lighting experience along with easier concealment. Enjoy peace of mind, knowing that your installations will remain flawless even in the face of nature's elements.

Moisture is no match for our spotlight's moisture-tight design. Built to withstand the harshest outdoor conditions, our fixtures provide exceptional protection against moisture infiltration. Rain or shine, you can trust our G2 EcoPro Spotlight to deliver consistent and reliable performance, making it the ideal choice for all your outdoor lighting projects.



PRODUCT DIMENSIONS



SPECIFICATIONS

- ▶ **Construction:** Brass
- ▶ **Finish:** Black
- ▶ **Lead Wire:** 18 AWG
- ▶ **Mounting:** 10" Hammer® Stake with cutout for wire exit
- ▶ **Lens:** Clear Flat Glass
- ▶ **Light Source (not included):** MR11 (LED or Halogen)
- ▶ **Operating Voltage:** 12VAC
- ▶ **Powered by:** AMP's Low Voltage Transformer

FEATURES & BENEFITS

- ▶ Cast Brass Construction.
- ▶ Beryllium copper socket – more corrosion resistant than copper.
- ▶ Silicone plug at lead wire exit prevents ground moisture and insects from entering luminaire through the stem.
- ▶ Water Tight Silicone O-Ring - keeps water from entering luminaire.
- ▶ Extra-long (1-inch) strip resistant threading and solid brass locknut provide superior mounting stability.
- ▶ Glare guard and heavy duty adjustable knuckle - allows light to be positioned.

WARRANTY

Lifetime Warranty

CERTIFICATIONS

