



AMP® Low Voltage Landscape Lighting

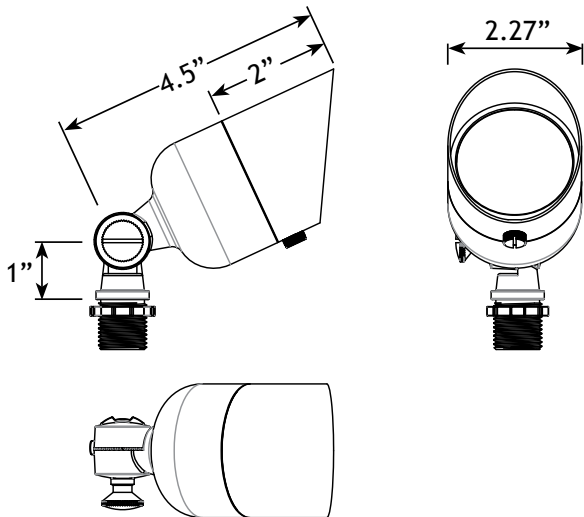
G2 EcoPro Brass Bronze Spotlight- AAL-1052

PRODUCT DESCRIPTION

Elevate your outdoor lighting projects with the 2nd generation of our ever-popular EcoPro MR16 spotlight. Crafted with premium cast brass and designed with a moisture-tight design, this spotlight guarantees a lifetime of durability and resilience. Its pre-aged bronze finish ages with grace over time as it naturally and beautifully patinas with age. Featuring a smaller footprint, the G2 EcoPro safeguards the lamp from shaking loose inside of the fixture. Tool-less knuckle allows for effortless adjustability and precision aiming. Built-in glare guard for directional glare control.



PRODUCT DIMENSIONS



SPECIFICATIONS

- ▶ **Construction:** Brass
- ▶ **Finish:** Bronze
- ▶ **Lead Wire:** 18 AWG
- ▶ **Mounting:** 10" Hammer® Stake with cutout for wire exit
- ▶ **Lens:** Clear Flat Glass
- ▶ **Light Source (not included):** MR16 (LED or Halogen)
- ▶ **Operating Voltage:** 12VAC
- ▶ **Powered by:** AMP's Low Voltage Transformer

FEATURES & BENEFITS

- ▶ Cast Brass Construction.
- ▶ Beryllium copper socket – more corrosion resistant than copper.
- ▶ Silicone plug at lead wire exit prevents ground moisture and insects from entering luminaire through the stem.
- ▶ Water Tight Silicone O-Ring - keeps water from entering luminaire.
- ▶ Extra-long (1-inch) strip resistant threading and solid brass locknut provide superior mounting stability.
- ▶ Glare guard and heavy duty adjustable knuckle - allows light to be positioned.

WARRANTY

Lifetime Warranty

CERTIFICATIONS

