



AMP® Low Voltage Landscape Lighting

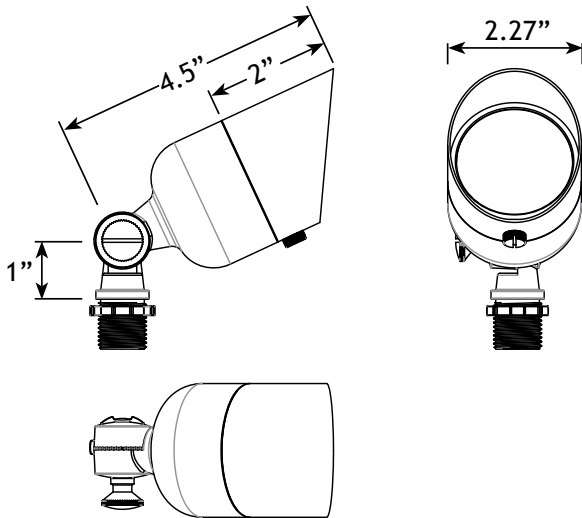
G2 EcoPro Copper Spotlight - AAL-1052

PRODUCT DESCRIPTION

The G2 EcoPro copper spotlight's smaller fixture is purposefully designed to provide a secure and stable lighting experience. Bid farewell to concerns about shaking or loose bulbs. The precise engineering of the fixture ensures a snug fit around the bulb, guaranteeing a steady and reliable illumination that will impress your clients and leave them in awe.

Don't let the elements compromise your lighting vision. The G2 EcoPro Copper Spotlight features a moisture-tight design, offering exceptional protection against outdoor conditions. Rain or shine, trust that our fixtures will continue to shine brightly, delivering consistent and reliable performance that exceeds expectations.

PRODUCT DIMENSIONS



FEATURES & BENEFITS

- ▶ Copper Construction.
- ▶ Beryllium copper socket – more corrosion resistant than copper.
- ▶ Silicone plug at lead wire exit prevents ground moisture and insects from entering luminaire through the stem.
- ▶ Water Tight Silicone O-Ring - keeps water from entering luminaire.
- ▶ Extra-long (1-inch) strip resistant threading and solid brass locknut provide superior mounting stability.
- ▶ Glare guard and heavy duty adjustable knuckle - allows light to be positioned.



SPECIFICATIONS

- ▶ **Construction:** Copper
- ▶ **Finish:** Raw
- ▶ **Lead Wire:** 18 AWG
- ▶ **Mounting:** 10" Hammer® Stake with cutout for wire exit
- ▶ **Lens:** Clear Flat Glass
- ▶ **Light Source (not included):** MR11 (LED or Halogen)
- ▶ **Operating Voltage:** 12VAC
- ▶ **Powered by:** AMP's Low Voltage Transformer

WARRANTY

Lifetime Warranty

CERTIFICATIONS

