



# AMP® Low Voltage Landscape Lighting

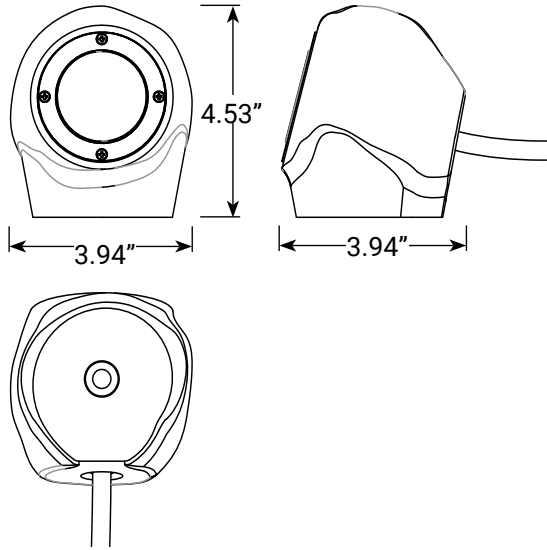
## MR11 Decorative Rock Light- AAL-1053

### PRODUCT DESCRIPTION

Crafted with a sturdy epoxy resin, this decorative rock light was built with various weather conditions in mind. Adding to the long-lasting durability is a brass faceplate and heavy-duty brass fitting on the backside. Designed to look like a rock, this MR11 lamp-ready fixture was built to seamlessly blend into clients' landscapes. An internal gimbal socket allows the interchangeable MR11 lamp to be positioned inside to direct light where needed.



### PRODUCT DIMENSIONS



### FEATURES & BENEFITS

- ▶ Epoxy resin material and brass faceplate ensures long-lasting durability.
- ▶ Adjustable internal gimbal socket for directional precision aiming of the bulb.

### SPECIFICATIONS

- ▶ **Construction:** Resin
- ▶ **Finish:** Grey
- ▶ **Lead Wire:** 18AWG
- ▶ **Lens:** Clear Flat
- ▶ **Light Source (not included):** MR11
- ▶ **Operating Voltage:** 12VAC
- ▶ **Powered by:** AMP's Low Voltage Transformer

### WARRANTY

Lifetime Warranty

### CERTIFICATIONS

