



AMP® Low Voltage Landscape Lighting G5 ControlPro LED Spotlight- AAL-105X

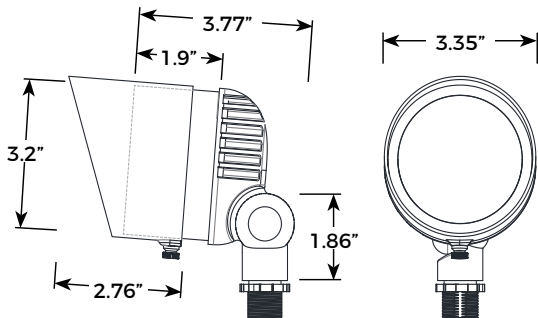
PRODUCT DESCRIPTION

A versatile, modular lighting solution designed for both uplighting and downlighting applications. Its IP67-rated cast brass construction with a durable black powder-coated finish ensures long-lasting performance in any environment. The modular design allows for easy LED module replacement, simplifying maintenance and extending the fixture's lifespan.

With CCT adjustability and dimming capabilities, this spotlight provides customizable lighting to match any project requirements. Swappable 60° and 38° optics offer flexibility for wide or focused illumination. RF control compatibility (AMP® RGBCW RF Remote Control sold separately) enables seamless operation, while the weatherproof design ensures reliable performance in challenging conditions. Backed by a Hassle-free Lifetime Warranty.



PRODUCT DIMENSIONS



FEATURES & BENEFITS

- ▶ Solid brass construction for long-lasting durability..
- ▶ Onyx finish easily blends into any landscape while providing marine and aircraft-grade protection against the harshest of elements.
- ▶ Can be used in both up- and downlighting applications.
- ▶ IP67 Rating
- ▶ Fully adjustable glare guard & knuckle for precision control.
- ▶ Correlated color temperature control offers 2200K (892lm), 2700K (927lm), 3000K (942lm), or 4000K (966lm).

SPECIFICATIONS

- ▶ **Construction:** Brass
- ▶ **Finish:** Black
- ▶ **Lead Wire:** 25' 18AWG
- ▶ **Mounting:** 10" Hammer® Stake
- ▶ **Lens:** 60° pre-installed with 38° in box
- ▶ **Light Source (not included):** Integrated
- ▶ **Operating Voltage:** 12VAC
- ▶ **Powered by:** AMP's Low Voltage Transformer

WARRANTY

Lifetime Warranty

CERTIFICATIONS

