



# AMP® Low Voltage Landscape Lighting

## RGBCW G5 ControlPro LED Spotlight- AAL-105X

### PRODUCT DESCRIPTION

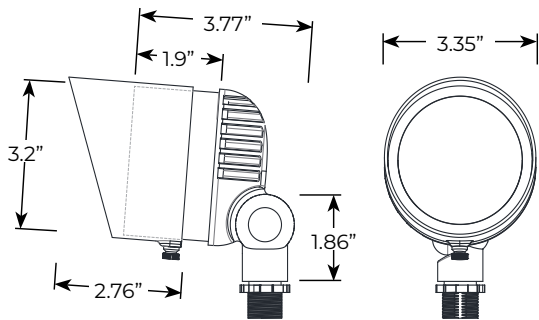
Constructed from solid cast brass with additional fins for enhanced heat dissipation, this fixture ensures durability and optimal performance in any outdoor environment. The new modular design allows for easy replacement of the 16W RGBCW LED module, reducing downtime and offering a cost-effective solution for long-term maintenance. The spotlight delivers vibrant, dimmable lighting with a full spectrum of colors, along with adjustable color temperature for tailored illumination.

This spotlight is engineered with professional-grade flexibility, featuring swappable 60° and 38° lenses to accommodate both wide-area coverage and focused lighting needs. Its RF-controlled system (compatible with AMP® RGBCW RF Remote Control, sold separately) allows for seamless dimming, zoning, and color adjustments, giving unparalleled control over the lighting environment. A 25' lead wire ensures ease of installation, even in challenging layouts. The Wago connectors inside the fixture ensure quick and secure connections for effortless installation or future upgrades.

Rated IP67 for superior weather resistance, the G5 ControlPro™ Spotlight has been rigorously tested for reliability, including thermal cycling, humidity chamber, and salt spray testing. It is the perfect choice for uplighting trees, walls, architectural elements, or creating dynamic, colorful displays.



### PRODUCT DIMENSIONS



### FEATURES & BENEFITS

- ▶ Solid Brass Construction.
- ▶ Pre-aged bronze finish patinas beautifully overtime to naturally blend with any landscape.
- ▶ Color-changing integrated light source - true-to-color LEDs produce powerful, vibrant colors.
- ▶ Interchangeable optics - easily and quickly replace to achieve up to 2 beam angles (38° or 60°) for fast adjustment in the field. 60° pre-installed.
- ▶ Lumens: 676 at 2200K | 731 at 2700K | 758 at 3000K | 809 at 4000K

### SPECIFICATIONS

- ▶ **Construction:** Brass
- ▶ **Finish:** Bronze
- ▶ **Lead Wire:** 25' 18AWG
- ▶ **Mounting:** 10" Hammer® Stake
- ▶ **Lens:** 60° pre-installed with 38° in box
- ▶ **Light Source (not included):** Integrated
- ▶ **Operating Voltage:** 12VAC
- ▶ **Powered by:** AMP's Low Voltage Transformer

### WARRANTY

Lifetime Warranty

### CERTIFICATIONS

