

**PRODUCT NAME:** Decorative Barn Light

**SKU:** ABLM-4201-40S-UNV-S-A-XX

AMP Secure's vintage style decorative barn light is a technical innovation of a classic dusk to dawn luminaire. The ABLM offers a highly configurable product with selectable lumens, CCT, three mounting arm options and four traditional shades. With a housing constructed of die-cast aluminum and a high-end marine grade polyester powder coat finish, this reliable series is built to last. The ABLM is supplied with universal voltage 120-277V, which is ideal for residential and commercial applications. Standard with an integrated photocontrol and 0-10V dimming, providing everything needed for an easy and successful installation.



## Features & Benefits

Durable die-cast aluminum construction with a corrosion resistant textured finish.

Selectable lumens via a covered switch location on the luminaire - 2700/4700 lumens at 22W/40W.

Selectable CCT (correlated color temperature) - allow users to adjust the color temperature of the light output from warm white (3000K) to cool white (4000K) to daylight (5000K).

Universal voltage 120-277V for compatibility with residential and commercial applications.

IP66 Rated and sealed with a silicone gasket for demanding outdoor environments. Suitable for wet locations.

Integrated photocontrol for dusk-to-dawn operation, 0-10V dimming standard.

5-Year warranty

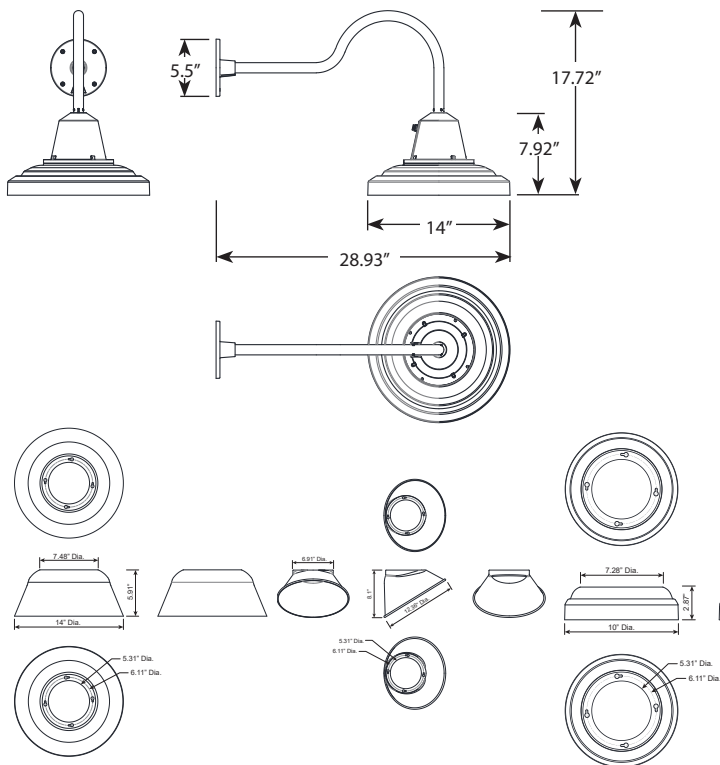
## Ordering Information

**Example: ABLM-4201-40S-UNV-S-A-XX ; ABLA-G2-A-XX & ABLA-SX**

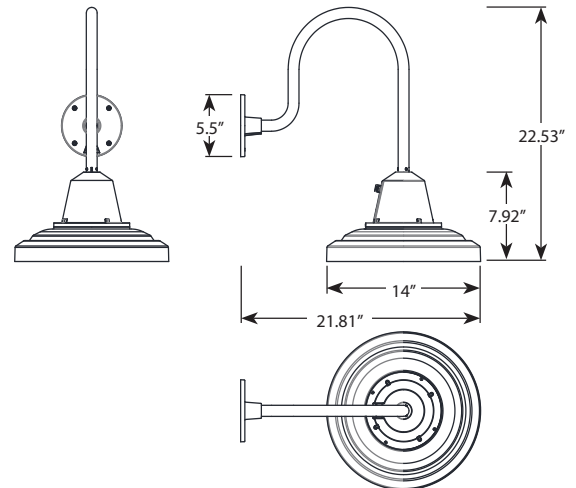
Product	Wattage	Voltage	CCT	Material	Finish	Shade (Order Separately)	Gooseneck Arm (Order Separately)
<b>ABLM-4201</b>	<b>40S=</b> Selectable, 22W, 40W 2700, 4700 lms	<b>UNV=</b> 120- 277V	<b>S=</b> 3/4/5K Selectable	<b>A=</b> Aluminum	<b>BK=</b> Black <b>WH=</b> White	S1- Standard	ABLA-G1-A-XX, Standard
						S2- 12" Angled Shade	
						S3- 14" Extra Deep	ABLA-G3-A-XX, Short
						S4- 10" Deep Shade	

## Product Dimensions

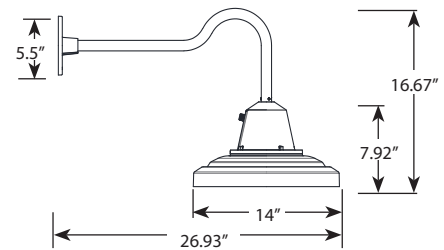
**G2 Long Gooseneck with S1 Shade**



**G3 Short Gooseneck with S1 Shade**



**G1 Standard Gooseneck with S1 Shade**



## Product Specifications

### Construction

Rugged die-cast aluminum housing with heat dissipating fins for optimal thermal management, improved LED performance, and extended component life.

Lightly frosted UV and impact resistant polycarbonate lens for even illumination.

Silicone gasketed for a durable, watertight seal that helps prevent moisture, dust, and other contaminants from entering.

### Compliance

UL Certified

IP66 Rated, suitable for wet locations.

Dark Sky friendly (or Zero uplight) when mounted at 0 degrees.

LM-79 Photometric testing in accordance with IES LM-79-08.

### Mounting

Die-cast aluminum mounting canopy easily attaches to flat surfaces with 4 screws.

Three gooseneck mounting arm options - standard, long and short for all application requirements.

### Electrical

Universal voltage 120-277V for compatibility with residential and commercial applications

Long-life, high-efficacy LED light engine is mounted on an internal aluminum heat sink to promote thermal management and long life

Selectable lumens - provides two lumen options at 2700/4700 lumens at 22W/40W. One luminaire for various mounting heights based on application needs and preferences. Switches are located on top at the back of the luminaire housing, beneath threaded plugs.

Selectable CCT (correlated color temperature) - 3000K/4000K/5000K - allow users to adjust the color temperature of the light output from warm white (3000K) to cool white (4000K) to daylight (5000K).

Standard 4kV Surge Protection to protect against electrical surges.

Default factory settings are 40W and 4000K.

80 CRI for true color rendition ensuring a realistic and natural perception of the illuminated environment.

Optimal operating temperature range of -40 degree C (-40 F) - 40 degree C (104 F).

Class 1 drivers provide >90% Power Factor and <20% THD.

### Integrated Controls

Integrated photocell for automated dusk to dawn control. Supplied with a clear cap for automated controls and a black cap to utilize a wall switch control.

Supplied with 0-10V dimming capability to control light levels.

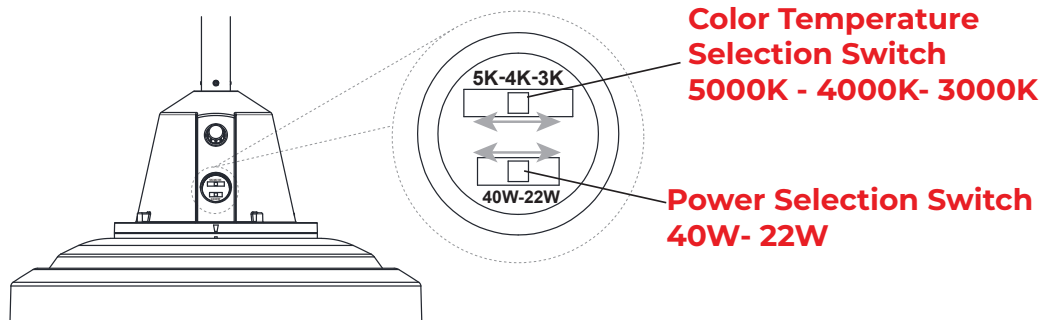
### Finish

High-end marine grade polyester powder coat paint. Electrostatically applied after 5-stage pre-treatment process including phosphate and passivation phases for additional corrosion resistance. The finish is rated per ASTM B117 for a minimum 1000-hour salt spray test.

Available in textured black.

### Warranty

5 year limited warranty. Consult [www.amplighting.com](http://www.amplighting.com) for more details.

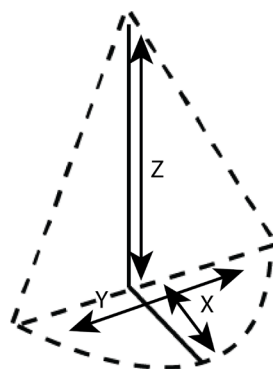


## Photometrics with S1 Shade

Nominal Wattage	CCT	Lumens	LPW	Amperage @120	Amperage @277	Legacy Equivalent
22W	3000	2600	124	.17A	.08A	150-200W PAR
	4000	2670	130			
	5000	2708	129			
40W	3000	4410	118	.31A	.14A	300W PAR
	4000	4684	128			
	5000	4653	123			

## Suggested Mounting Height with S1 Shade

### Area Coverage



0.50 fc level at different mounting heights

Mounting Height (Z)			8'		12'		16'	
Product	Wattage	Lumens	X	Y	X	Y	X	Y
ABLM-4201-40S	22W	2600	16'	32'	20'	40'	22'	44'
	40W	4410	18'	36'	22'	44'	26'	52'

Luminaire position is facing downwards. All data is based on 3000 CCT.

X= Forward Throw

Y= Wall Spread

Z= Mounting Height

## PRODUCT NAME: Pendant Decorative Barn Light Mount

**SKU:** ABLM-P1-A-XX

AMP Secure's vintage style decorative barn light is a technical innovation of a classic dusk to dawn luminaire. The ABLM offers a highly configurable product with selectable lumens, CCT, three mounting arm options and four traditional shades. With a housing constructed of die-cast aluminum and a high-end marine grade polyester powder coat finish, this reliable series is built to last. The ABLM is supplied with universal voltage 120-277V, which is ideal for residential and commercial applications. Standard with an integrated photocontrol and 0-10V dimming, providing everything needed for an easy and successful installation.

### Features & Benefits

Perfect for sloped ceilings, always hangs level

Directs light downward, reduces glare

Adjustable drop length for precise light placement for any ceiling height

Outdoor-rated for long-lasting durability

Premium look increases project value

The mount is used in replacement of the gooseneck arms.

The Barn Light Pendant mounts to the current barn light using the existing holes

The stem can be extended up to 42" long. It comes with (3), 12" stems and (1) 6" stem to allow the customer to adjust the overall hang length to match their application and ceiling height.

It has a rotating ball mechanism that allows the mount to be installed on an angled ceiling while the stem hangs straight down.

Built with a rugged die-cast aluminum housing and a marine-grade polyester powder coat for corrosion resistance. This finish is rated per ASTM B117 for a minimum 1000-hour salt spray test, ensuring longevity in harsh outdoor conditions.



### Product Dimensions

