



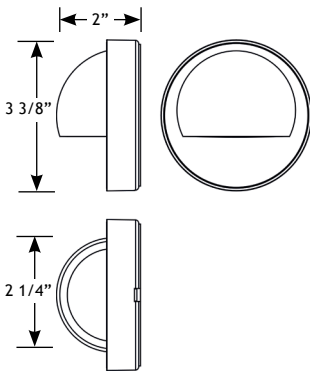
# AMP® Low Voltage Landscape Lighting AMP® Deck-Design Pro Classic Brass Black Deck Light - (ADL-2010-X-B-BK)

## PRODUCT DESCRIPTION

The AMP® Deck-Design Pro Classic Brass Black Deck Light features a durable cast brass construction, ensuring longevity and reliability in outdoor environments. The ceramic white interior of the light is specifically designed to maximize light output, providing a stunning illumination that enhances the beauty of any deck. The AMP® Deck-Design Pro Classic Brass Black Deck Light boasts a moisture-tight design, offering exceptional protection against the elements, ensuring consistent performance and longevity; allowing your customers to enjoy their deck lighting for years to come without worry.



## PRODUCT DIMENSIONS



## FEATURES & BENEFITS

- ▶ Solid cast brass for durability and longevity.
- ▶ Socket accepts G4 bi-pin lamps.
- ▶ Beryllium copper socket – more corrosion resistant than copper.
- ▶ Ceramic white interior reflects light to maximize output.
- ▶ Twist-and-lock body allows for easy installation.
- ▶ Dark Sky Approved – certified by International Dark Sky Association.

## SPECIFICATIONS

- ▶ **Construction:** Brass
- ▶ **Finish:** Black
- ▶ **Lead Wire:** 25' (standard) 18AWG
- ▶ **Mounting:** Two lock screws
- ▶ **Lens:** Frosted lens
- ▶ **Light Source (not included):** Bi-Pin (LED or Halo-gen)
- ▶ **Operating Voltage:** 12VAC
- ▶ **Powered by:** AMP's Low Voltage Transformer

## WARRANTY

Lifetime Warranty

## CERTIFICATIONS

