



AMP® Low Voltage Landscape Lighting

DiffusePro- AFL-4010

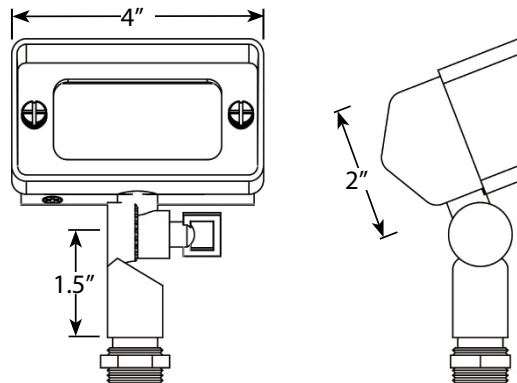
PRODUCT DESCRIPTION

The DiffusePro™ flood light excels at providing subtle, low-brightness illumination for a variety of outdoor features. Its gentle glow is perfect for highlighting single objects—such as urns, mailboxes, and statues—as well as softly illuminating small gardens, retaining walls, and plants. To help achieve the desired lighting effect, the DiffusePro™ comes with multiple lens options (frosted, clear, and linear), allowing brightness adjustments and beam diffusion.

Thanks to its compact size, the DiffusePro™ is an ideal choice for discreet installation in trellises, rafters, gazebos, and other architectural structures. For even greater versatility, consider using the optional surface mount to position the fixture exactly where it's needed. Now offered in a sleek black powder-coat finish, this cast brass flood light pairs durable construction with a modern aesthetic to seamlessly integrate into any outdoor landscape.



PRODUCT DIMENSIONS



FEATURES & BENEFITS

- ▶ Brass Construction.
- ▶ Pre-aged finish; no powder coating, paint or finish to wear off or peel—just natural patina that does not corrode.
- ▶ Beryllium copper socket – more corrosion resistant than copper.
- ▶ Silicone plug at lead wire exit prevents ground moisture and insects from entering luminaire through the stem.
- ▶ Extra-long (1-inch) strip resistant threading and solid brass locknut provide superior mounting stability.
- ▶ Machine threaded body screws tighten onto a gasket for a moisture tight design.

SPECIFICATIONS

- ▶ **Construction:** Brass
- ▶ **Finish:** Black
- ▶ **Lead Wire:** 18AWG
- ▶ **Mounting:** 10" Hammer® Stake with cutout for wire exit
- ▶ **Lens:** Frosted (installed),, clear lens and spread diffusion lens
- ▶ **Light Source (not included):** Bi-Pin (LED or Halogen)
- ▶ **Operating Voltage:** 12VAC
- ▶ **Powered by:** AMP's Low Voltage Transformer

WARRANTY

Lifetime Warranty

CERTIFICATIONS

