



AMP® Low Voltage Landscape Lighting

Nano LED Flood Light- AFL-4032

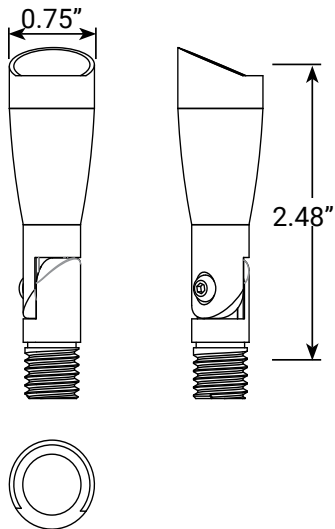
PRODUCT DESCRIPTION

Introducing the Nano LED Flood Light – AMP’s tiniest solid brass integrated LED flood light. Measuring in at 2.5” in length and 0.75” in height, this flood light produces a powerful 175 lumens of a warm 2700K glow. Aligned with the broad beam angle characteristic of conventional flood lights, the Nano Flood Light offers an expansive ~120° beam angle, ensuring widespread and effective illumination.

Designed for non-traditional landscape applications, this flood light is perfect for high-rises, apartments, planters, and more. Featuring a solid brass construction and an IP66 rating to withstand dust and powerful jetting water, the Nano spotlight is built for reliable and long-lasting performance.



PRODUCT DIMENSIONS



FEATURES & BENEFITS

- ▶ Sheet Brass Construction.
- ▶ Pre-aged finish; no powder coating, paint or finish to wear off or peel—just natural patina that does not corrode.
- ▶ Strip resistant threading provides superior mounting stability.
- ▶ IP66 rating to withstand dust and powerful jetting water.
- ▶ Adjustable knuckle allows light to be precision-aimed.
- ▶ Beryllium copper socket – more corrosion resistant

SPECIFICATIONS

- ▶ **Construction:** Brass
- ▶ **Finish:** Bronze
- ▶ **Lead Wire:** 18AWG
- ▶ **Mounting:** 2” Hammer Stake
- ▶ **Lens:** Clear
- ▶ **Light Source (not included):** Integrated
- ▶ **Operating Voltage:** 12VAC
- ▶ **Powered by:** AMP’s Low Voltage Transformer

WARRANTY

Lifetime Warranty

CERTIFICATIONS



File #E466348



File #E466348