

# AMP SECURE

Cat. No

Notes

Types

**PRODUCT NAME:** Adjustable Wall Flood Light

**SKU:** AFL-4036-25S-UNV-S-A-XX

AMP Secure's AFL adjustable flood light is a modern approach to safety and security. With a decorative easy-install mounting plate, the adjustable flood light illuminates both residential and commercial spaces. Supplied with selectable wattage and CCT, an integrated photocontrol for dusk to dawn illumination and 0-10V dimming to tailor the light output for the application. With its durable die-cast aluminum housing and universal voltage (120-277V), the adjustable wall flood light is ideal for commercial and residential applications.



## Features & Benefits

Durable die-cast aluminum construction with a corrosion resistant textured finish.

Selectable lumens via a covered switch location on the top of the luminaire - provides two lumen options at 2100/3500 lumens at 15W/25W.

Selectable CCT (correlated color temperature) - allow users to adjust the color temperature of the light output from warm white (3000K) to cool white (4000K) to daylight (5000K).

Universal voltage 120-277V for compatibility with residential and commercial applications.

IP66 Rated and sealed with a silicone gasket for demanding outdoor environments. Suitable for wet locations.

Integrated photocontrol for dusk to dawn operation, 0-10V dimming standard.

5-Year warranty

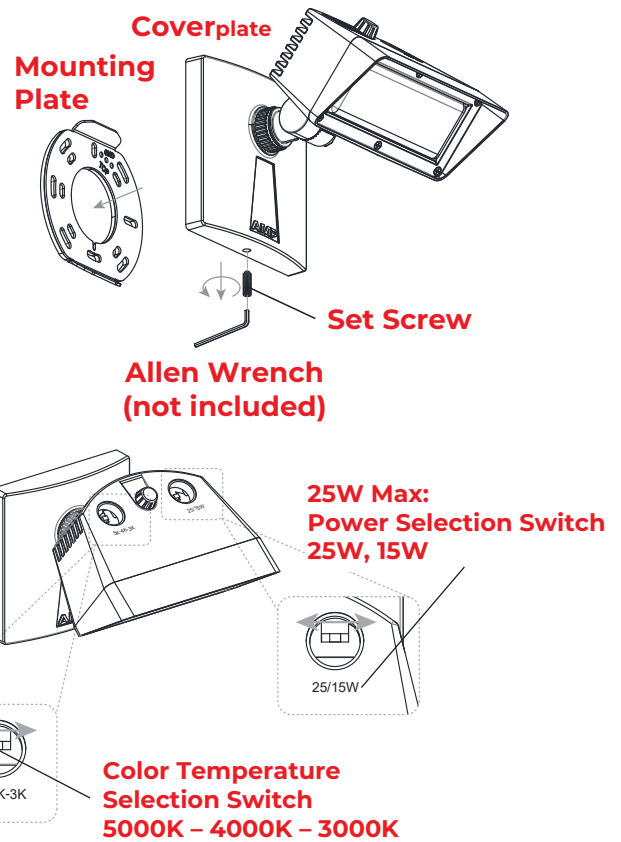
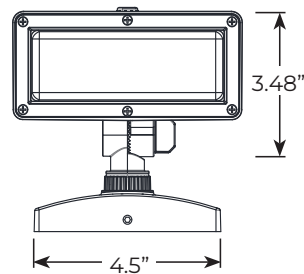
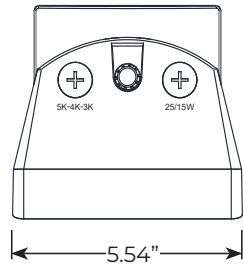
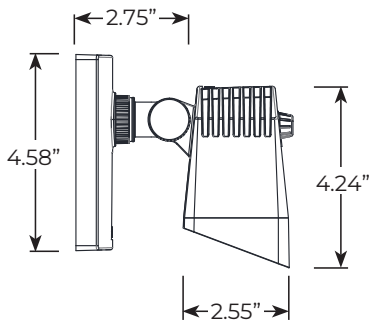


## Ordering Information

**Example: AFL-4036-25S-UNV-S-A-XX**

Product	Wattage/ Lm	Voltage	CCT	Material	Finish
<b>AFL-4036</b>	<b>25S=</b> 15W/25W Selectable 2100, 3500 lms	<b>UNV=</b> 120- 277V	<b>S=</b> 3/4/5K Selectable	<b>A=</b> Aluminum	<b>BZ=</b> Bronze <b>BK=</b> Black <b>WH=</b> White

## Product Dimensions



## Product Specifications

### Construction

Rugged die-cast aluminum housing with heat dissipating fins for optimal thermal management improved LED performance and extended component life.

Clear UV and impact resistant polycarbonate lens for uniform light distribution and eliminates pixelation.

Silicone gasketed for a durable, watertight seal that helps prevent moisture, dust, and other contaminants from entering.

Premium precision engineered optics deliver wide NEMA 7x 6 distribution.

### Compliance

UL Certified

IP66 Rated, suitable for wet locations.

Dark Sky friendly (or Zero uplight) when mounted at 0 degrees.

LM-79 Photometric testing in accordance with IES LM-79-08.

### Mounting

Provided with a universal mounting bracket suitable for junction box installation. Provided with neoprene gasket providing a seal to the junction box. Decorative wall mount plate included.

May be installed with 1/2" NPS threaded directly to a waterproof conduit body. Install in accordance with local building and electrical codes.

### Mounting Continued

Bubble level and set screw ensure easy and repeatable level installation.

Adjustable tilt. Locks securely in place with interlocking teeth for reliable positioning.

Easy-install mounting plate includes security tether, allowing for easy single person wiring.

### Electrical

Universal voltage 120-277V for compatibility with residential and commercial applications.

Long-life, high-efficacy LED light engine is mounted on an internal aluminum heat sink to promote thermal management and long life.

Selectable lumens - provides two lumen options at 2100/3500 lumens at 15W/25W. One luminaire for various mounting heights based on application needs and preferences. Switches are located on top of the luminaire, beneath threaded plugs.

Selectable CCT (correlated color temperature) - 3000K/4000K/5000K - allow users to adjust the color temperature of the light output from warm white (3000K) to cool white (4000K) to daylight (5000K).

Default selectable settings are 25W and 4000K.

Standard 4kV Surge Protection to protect against electrical surges.

80 CRI for true color rendition ensuring a realistic and natural perception of the illuminated environment.

### Electrical Continued

Optimal operating temperature range of -40 degree C (-40 F) - 40 degree C (104 F).

Class 1 drivers provide >90% Power Factor and <20% THD.

### Integrated Controls

Integrated photocell for automated dusk to dawn control. Supplied with a clear cap for automated controls and a black cap to utilize a wall switch control.

Supplied with 0-10V dimming capability to control light levels.

### Finish

High-end marine grade polyester powder coat paint. Electrostatically applied after 5-stage pre-treatment process including phosphate and passivation phases for additional corrosion resistance. The finish is rated per ASTM B117 for a minimum 1000-hour salt spray test.

Available in textured bronze, black, and white.

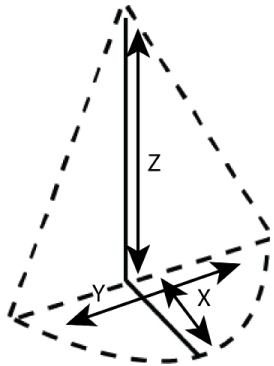
### Warranty

5 year limited warranty. Consult [www.amplighting.com](http://www.amplighting.com) for more details.

## Photometrics

Nominal Wattage	CCT	Lumens	LPW	Amperage @120	Amperage @277	Legacy Equivalent
15W	3000	1911	129	.13A	.05A	50W HPS/MH
	4000	1958	134			
	5000	1995	133			
25W	3000	3081	124	.21A	.09A	100-150W HPS/MH
	4000	3202	132			
	5000	3226	129			

## Suggested Mounting Height



### Area Coverage

0.50 fc level at different mounting heights

Mounting Height (Z)			8'		10'		12'	
Product	Wattage	Lumens	X	Y	X	Y	X	Y
AFL-4036-25S	15W	1911	12'	28'	14'	32'	16'	34'
	25W	3081	16'	32'	18'	34'	20'	36'

Luminaire position is facing downwards. All data is based on 3000 CCT.

X= Forward Throw

Y= Wall Spread

Z= Mounting Height