

PRODUCT NAME & SKU

Twin Head Round Security light AFL-4037-30S-LI-S-A-XX

Twin Head Round Security Light with Motion Sensor AFL-4038-30S-MS-LI-S-A-XX

The AMP Secure AFL twin head security light is a low glare attractive option for security lighting, minimizing light spill into neighbor's homes. This versatile series of die-cast aluminum safety flood lights is feature rich with selectable lumens, and CCT, an integrated photocell and an optional PIR motion sensor. Making it a complete residential or commercial security lighting solution. Available in round and rectangular designs, see AFL-4039 and AFL-4040 for the rectangular luminaires.



Features & Benefits

Durable die-cast aluminum construction with a corrosion resistant textured finish.

Selectable lumens via a switch location on the side luminaire - Provides two lumen options 1600/3400 lumens at 15W and 30W. Suggested mounting height between 8' and 14'.

Selectable CCT (correlated color temperature) - allow users to adjust the color temperature of the light output from warm white (3000K) to cool white (4000K) to daylight (5000K).

Line voltage luminaire at 120V, 0-10V dimming.

IP66 Rated and sealed with a gasket for demanding outdoor environments. Suitable for wet locations.

Integrated photocontrol for dusk to dawn operation for the AFL-4037. The AFL-4038 version offers the additional convenience of a motion sensor.

5-Year warranty

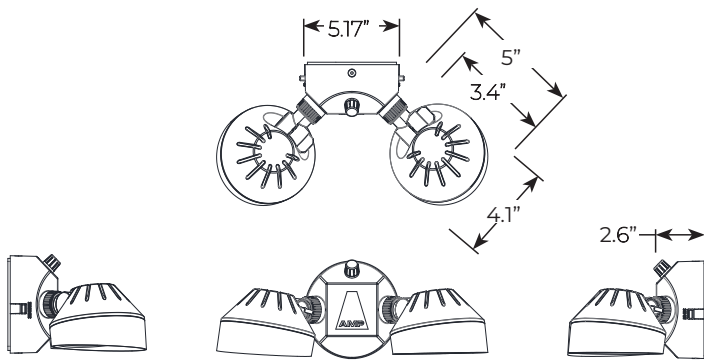


Ordering Information

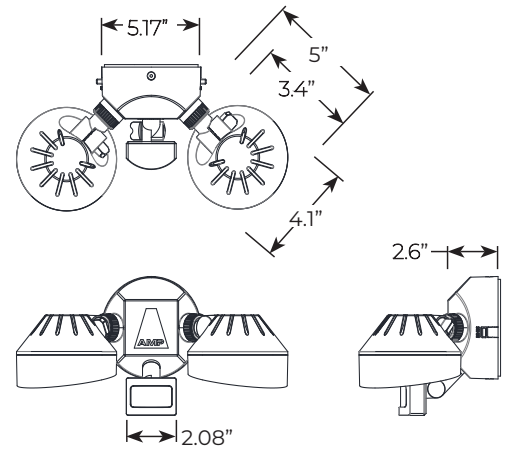
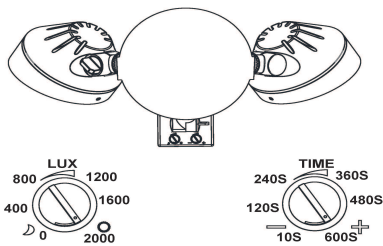
Example: AFL-4037-30S-LI-S-A-XX & AFL-4038-30S-MS-LI-S-A-XX

Product	Wattage	Motion Sensor	Voltage	CCT	Material	Finish
AFL-4037-30S	Selectable, 15W, 30W 1600, 3400 lms	None	LI-120V	S= 3/4/5K Selectable	A= Aluminum	WH= White BK= Black
AFL- 4038-30S-MS	Selectable, 15W, 30W 1600, 3400 lms	MS= Motion Sensor	LI-120V	S= 3/4/5K Selectable	A= Aluminum	BK= Black

AMP[®] SECURE



AFL-4037-30S-LI-S
Photocell



AFL-4038-30S-MS-LI-S
Motion Sensor

Product Specifications

Construction

Rugged die-cast aluminum housing with heat dissipating fins for optimal thermal management improved LED performance and extended component life.

Lightly frosted UV and impact illumination polycarbonate lens for even distribution.

Gasketed for a durable, watertight seal that helps prevent moisture, dust, and other contaminants from entering.

Compliance

UL Certified

IP66 Rated, suitable for wet locations.

LM-79 Photometric testing in accordance with IES LM-79-08.

Mounting

Provided with a universal mounting bracket suitable for junction box installation. Provided with neoprene gasket to seal around the junction box area.

Easy-install mounting plate includes security tether, allowing for easy single person wiring.

Bubble level and set screw ensure easy and repeatable level installation.

Heads lock securely in place with interlocking teeth for reliable positioning.

Electrical

Line voltage luminaire at 120V.

Selectable lumens via a switch location on the side luminaire - Provides two lumen options 1600/3400 lumens at 15W and 30W.

Selectable CCT (correlated color temperature) - 3000K/4000K/5000K - allow users to adjust the color temperature of the light output from warm white (3000K) to cool white (4000K) to daylight (5000K).

Default selectable settings are 30W and 4000K.

Standard 4kV Surge Protection to protect against electrical surges.

80 CRI for true color rendition ensuring a realistic and natural perception of the illuminated environment

Optimal operating temperature range of -40 degree C (-40 F) - 40 degree C (104 F).

Class 1 drivers provide >90% Power Factor and <20% THD.

Integrated Controls

The AFL-4037 comes with an integrated photocell for automated dusk to dawn control. Supplied with a clear cap for automated controls and a black cap to utilize a wall switch control.

The AFL-4038 version offers the additional convenience of a motion sensor. The sensor detects motion and has an integral photocell design that prevents lights from turning on when there is ample daylight. Controls on the back of the motion sensor allow for variable lumen output and time settings for each application requirements. Motion detector is 120 degrees.

0-10V dimming to control light levels.

Finish

High-end marine grade polyester powder coat paint. Electrostatically applied after 5-stage pre-treatment process including phosphate and passivation phases for additional corrosion resistance. The finish is rated per ASTM B117 for a minimum 1000-hour salt spray test.

Available in textured black and white.

Warranty

5 year limited warranty. Consult www.amplighting.com for more details.

Photometrics

Nominal Wattage	CCT	Lumens	LPW	Amperage @120V	Legacy Equivalent
15W	3000	1523	121	120V-.17A	75-90W PAR
	4000	1582	128		
	5000	1568	123		
30W	3000	3208	111	120V-.25A	150-200W PAR
	4000	3452	122		
	5000	3356	113		