

PRODUCT SPECIFICATIONS

Project Name _____ Date _____



Type or Model _____ Qty _____

AMP® Low Voltage Landscape Lighting

ControlPro™ Modular Rotatable LED Hardscape Light AHS-68XX-25-B-BZ

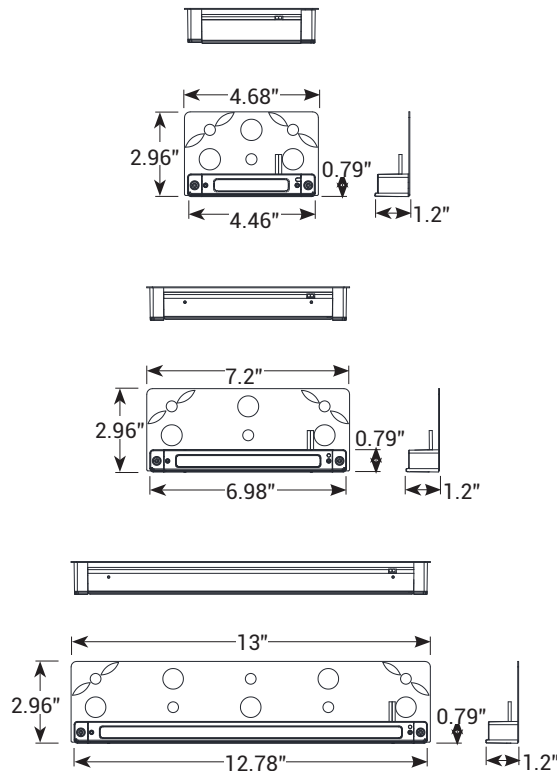
PRODUCT DESCRIPTION

The ControlPro™ Hardscape Light series is specially designed with lighting professionals in mind – optimized for field-service. Highly innovative, modular designs allow for magnetic LED light modules to be easily removed and quickly serviced; no tedious rewiring is required. Hardscape lighting is traditionally complex to install and maintain – save time & money with this AMP® exclusive innovation.

Ideal applications include mounting under capstones; railings; outdoor kitchen counters and cabinets; benches; and eaves.



PRODUCT DIMENSIONS



SPECIFICATIONS

- ▶ **Construction:** Brass
- ▶ **Finish:** Bronze
- ▶ **Lead Wire:** 25ft UL® certified lead wire (18 AWG SPT-1)
- ▶ **Lumens:** Light Output (Lumens) for 3", 6" & 12" Sizes:
 - 100 | 200 | 400 (2700K)
- ▶ **IP Rating:** IP65
- ▶ **Mounting:** Built in surface mount
- ▶ **Operating Voltage:** 12VAC
- ▶ Powered by: AMP's Low Voltage Transformer

FEATURES & BENEFITS

- ▶ Magnetic LED light module specially designed to allow for easy removal and servicing – no rewiring required.
- ▶ Cast brass construction with antique bronze finish for durability and long-term beauty.
- ▶ Rotatable light housing allows for unique applications and custom aiming of light (180° rotation).

© Copyright 2023, AMP® Lighting, Lutz, FL USA 33549 • All rights reserved • 813.978.3900 • www.amplighting.com

WARRANTY

Lifetime Warranty

CERTIFICATIONS

