



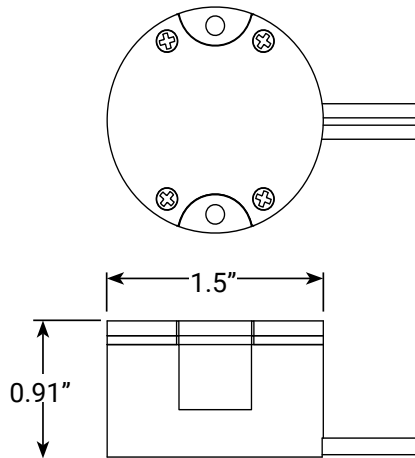
AMP® Low Voltage Landscape Lighting G2 PuckPro Led Hardscape- AHS-70XX

PRODUCT DESCRIPTION

Now sealed to achieve an IP67 rating, ensuring protection from dust and water, and even temporary immersion, our G2 PuckPro light can now be utilized as an uplighting solution, adding to its versatility. This puck light can easily be mounted under benches, railings, or overhangs, or seamlessly integrated into decks, steps, or hardscapes. With its 2200K color temperature, this very warm white light makes this puck light perfect to be installed in lanterns and orbs for a candlelight glow.

Customize clients' experience with three (3) interchangeable lenses (included) -- clear, frosted, and diffused or a choice of four (4) different glare guards to direct lighting and protect from unwanted glare.

PRODUCT DIMENSIONS



FEATURES & BENEFITS

- ▶ Solid Brass Construction.
- ▶ Pre-aged finish; no powder coating, paint or finish to wear off or peel—just natural patina that does not corrode.
- ▶ IP67 rating ensures protection against dust, water, and temporary immersion up to 1 meter (3 ft. 3 in.)
- ▶ Can be installed in a variety of applications: surface mounted, 1.5" core-drilled, recessed, installed as a downlight or uplight application.
- ▶ Glare guards (sold separately) available for directing light and glare control: Beacon | Grated | Shielded | Turret Top



SPECIFICATIONS

- ▶ Construction: Brass
- ▶ Finish: Bronze
- ▶ Lead Wire: 18AWG
- ▶ Watts: 1W
- ▶ Lumens: 100lm
- ▶ CCT: 2200K
- ▶ Lens: Clear, frosted or diffused
- ▶ Light Source: Integrated
- ▶ Operating Voltage: 12VAC
- ▶ Powered by: AMP's Low Voltage Transformer

WARRANTY

Lifetime Warranty

CERTIFICATIONS



File #E466348



File #E466348